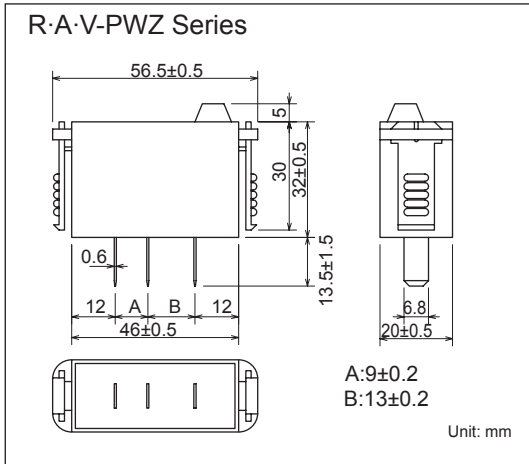




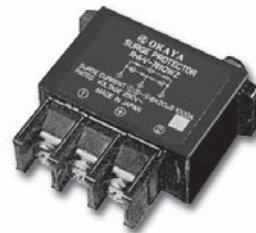
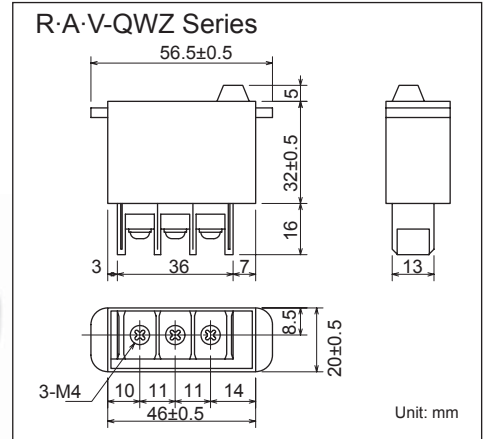
● Dimensions



Safety Standard	File No.
UL :UL1449	E332107



● Dimensions



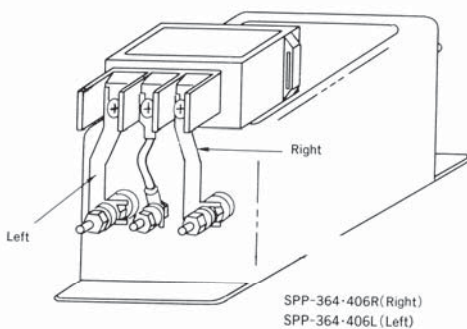
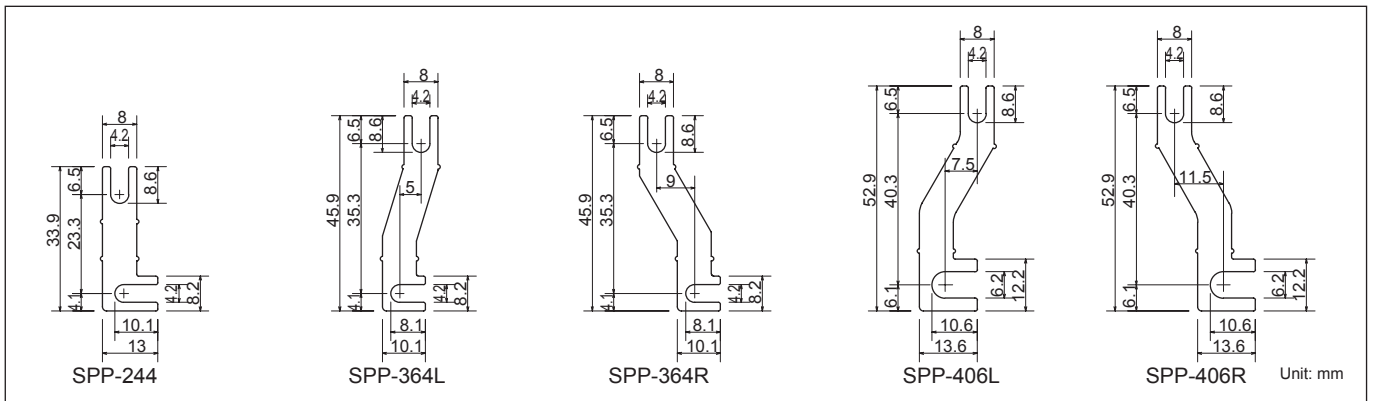
Electrical Specifications

Safety Standard	Model Number	Clamp Voltage (V) ±10%	Peak Surge Current 8/20µs (A)	Response Time (ns)	Capacitance (pF) *	Max. Line Voltage (VAC)	Overlapping Impulse Withhold		
							Overlap Power	Width	Impulse Voltage(+) (-)
	R-A-V-401PWZ 1,2- $\frac{1}{2}$	403	1,000	50	100	145	135VAC	1µs	2,000V
	R-A-V-781PWZ 1,2- $\frac{1}{2}$	783			50	300	270VAC		
	R-A-V-401QWZ 1,2- $\frac{1}{2}$	403			100	145	135VAC		
	R-A-V-781QWZ 1,2- $\frac{1}{2}$	783			50	300	270VAC		

* Central Value

- QWZ protector can be attached to our Noise Filter (EH, GH, JH series).
Please use below parts for installation.

● Dimensions



	SPP-244	SPP-364R-L	SPP-406R-L
SUP-E□H-EP (5~20A)	○		
SUP-G□H-EPR-4 (5, 10A)	○		
SUP-G□H-EPR-4 (15, 20A)		○	
SUP-J□H-ER-4 (10, 15A)		○	
SUP-J□H-ER-4 (20, 30A)			○