

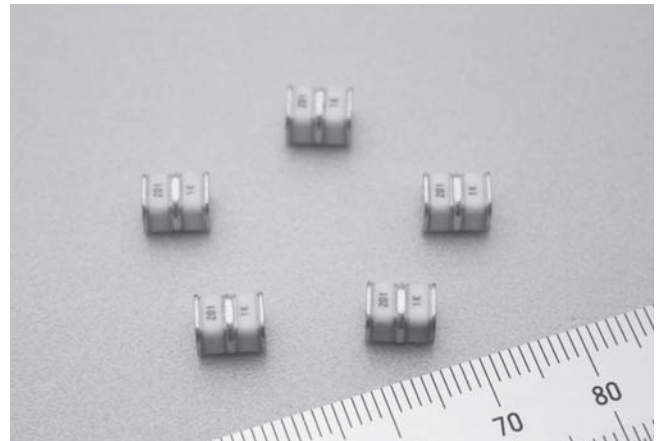


Features

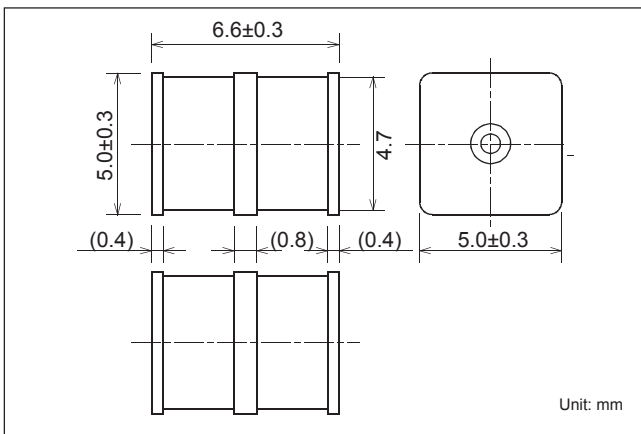
- Quick response for surge
- High impulse current capacity 8/20 μ s-5,000A
- It can withstand alternating current
- Excellent insulation resistance and small capacitance (1.0pF max.)
- Recommendation of ITU-T conformity

Applications

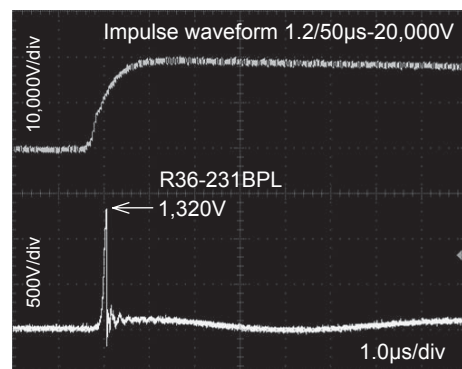
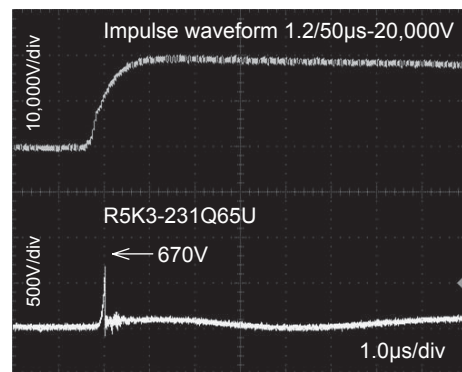
- Homegateway equipments
- Telephone, PBX, Wireless base station
- Optical transmission equipments
- CATV transmission equipments, BS / CS broadcasts equipments
- Fire alarm systems and Home security systems



Dimensions



Impulse Absorption Characteristics

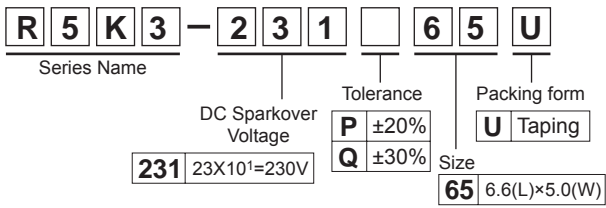


Electrical Specifications

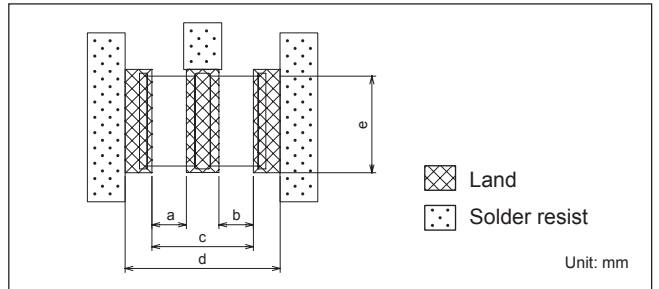
Model Number*1	DC Sparkover Voltage (V)	Insulation Resistance min. (M Ω)	Capacitance max. (pF)	Impulse Life Test	Impulse Discharge Current
R5K3-900□65U	90	1,000 (DC50V)	1.0	8/20 μ s, 100A 300 times	8/20 μ s, 5,000A Positive/Negative 5 times
R5K3-151□65U	150	1,000(DC100V)			
R5K3-231□65U	230				
R5K3-251□65U	250				
R5K3-351□65U	350				
R5K3-421□65U	420				
R5K3-501□65U	500				
R5K3-601□65U	600				

*1 □: Tolerance $\pm 20\%$ =P, Tolerance $\pm 30\%$ =Q

• Model numbering system

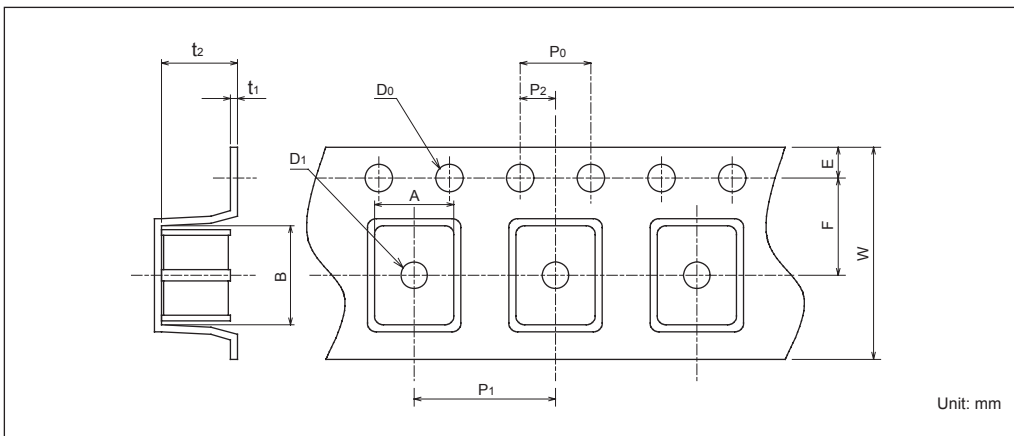


• Recommended Land Pattern



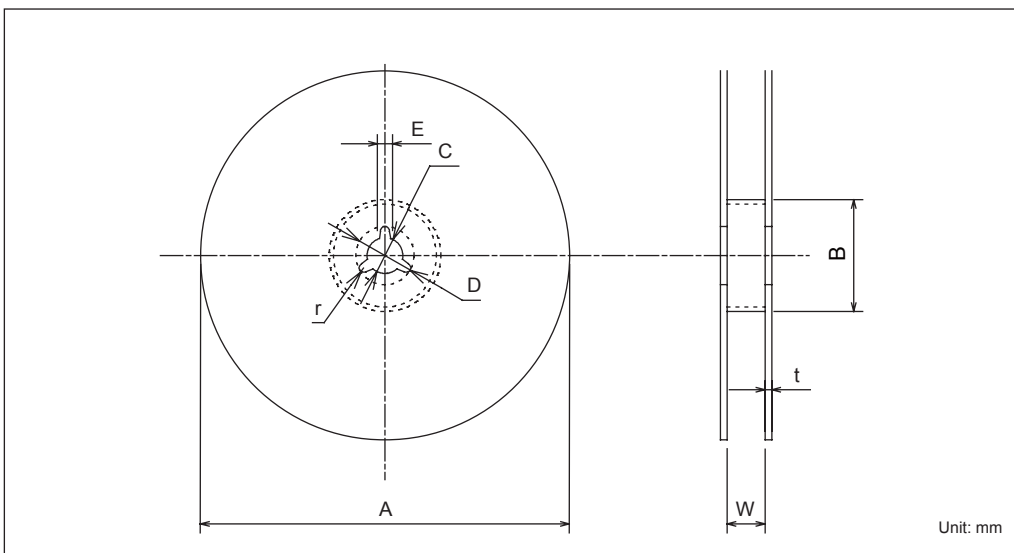
	Dimensions (mm)				
	a	b	c	d	e
Reflow Soldering	1.8	1.8	5.3	8.1	5.4

• Taping Dimensions



Dimensions (mm)	
A	5.6±0.3
B	7.3±0.3
W	16.0±0.4
F	7.5±0.2
E	1.75±0.2
P ₁	8.0±0.2
P ₂	2.0±0.2
P ₀	4.0±0.2
D ₀	φ 1.55±0.1
D ₁	φ 1.5 min.
t ₁	0.40±0.2
t ₂	5.35±0.2

• Reel Dimensions (2,000pcs per one reel)



Dimensions (mm)	
A	φ 380±3
B	φ 80±2
C	φ 13.0±0.5
D	φ 21±1
E	2±1
W	17.5±2.0
t	2.0±0.5
r	1.0±0.2