



SUP-EH-EP SERIES

NOISE FILTERS



Features

- High performance magnetics for pulse absorption (20dB attenuation at 1,000V pulse).
- High insertion loss characteristics.

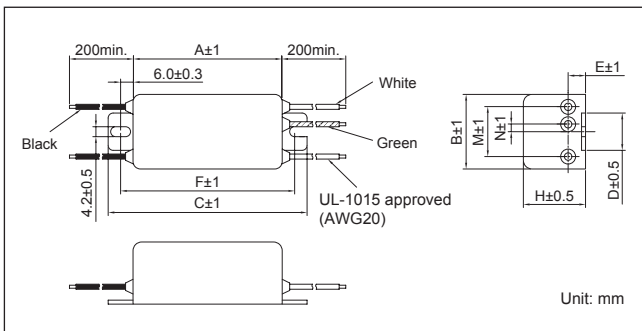
Applications

- PCs, Copiers, Printers, Office appliances, Measuring devices and Control systems.

SUP-E□H-EP Series (PVC wire)
(1~3A)

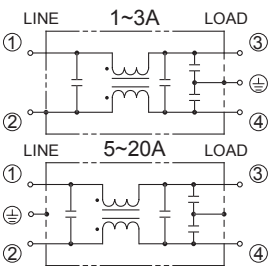


Dimensions

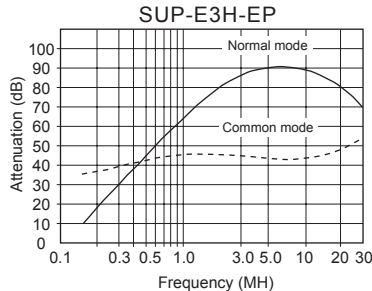


Model Number	A	B	C	D	E	F	H	M	N
SUP-E1H-EP									
SUP-E2H-EP	60	30	80	15	7.0	70	25	20	3
SUP-E3H-EP		40		20				25	4

Circuit



Static characteristics



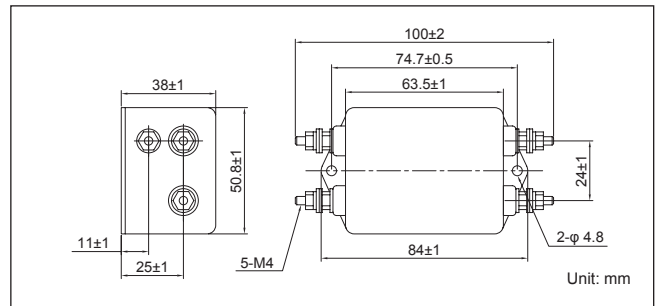
Safety Standard	File No.
UL :UL1283	E78644
CSA :C22.2, No.8-M1986	LR60681
SEMKO :EN60939	SE/0142-13 SE/0142-14

The "ENEC" mark is a common European product certification mark based on testing to harmonised European safety standard.

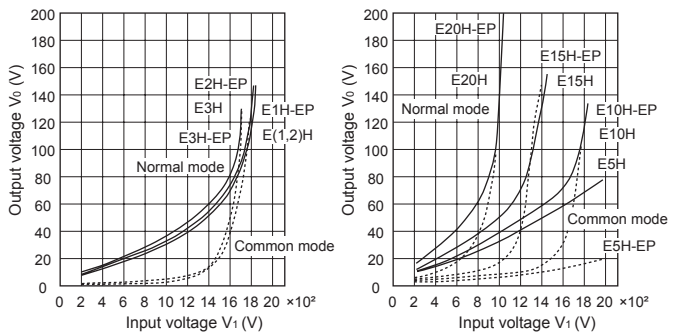
SUP-E□H-EP Series (Screw terminal)
(5~15A, 20A)



Dimensions



TVSS Characteristics Pulse width 800nsec



Electrical Specifications

Safety Standard	Model Number	Rated Current (A)	Test Voltage	Insulation Resistance	Leakage Current max.	Voltage Drop max.	Temperature Rise max.	Operating Temperature (°C)	Insertion losses		Weight typ.(g)
									Normal Mode (MHz)	Common Mode (MHz)	
	SUP-E1H-EP	1	Line to Line 1,100VAC 50/60Hz 60sec	Line to Line 3,000MΩmin	0.6mA (at 250VAC 60Hz)	1.0VAC	30K	-25 ~ +55 (85°C with Temp. rise)	0.7 ~ 30	0.7 ~ 30	105
	SUP-E2H-EP	2									
	SUP-E3H-EP	3									
	SUP-E5H-EP	5	Line to Case 2,240VAC 50/60Hz 60sec	Line to Case 6,000MΩmin (at 500VDC)			35K	-25 ~ +50 (85°C with Temp. rise)	0.8 ~ 30	1.5 ~ 30	270
	SUP-E10H-EP	10									
	SUP-E15H-EP	15									
SUP-E20H-EP	20							1.5 ~ 30	6.0 ~ 30		

Guaranteed attenuation is more than 40dB in normal mode, more than 40dB at 1~3A and more than 35dB at 5~20A in common mode.