



Features

- Uses wiring-easy terminal block.
- The super high μ core allows high attenuation.
- Wide range lineup (5 to 30A).
- Bleeder resistor for electric shock protection.

Applications

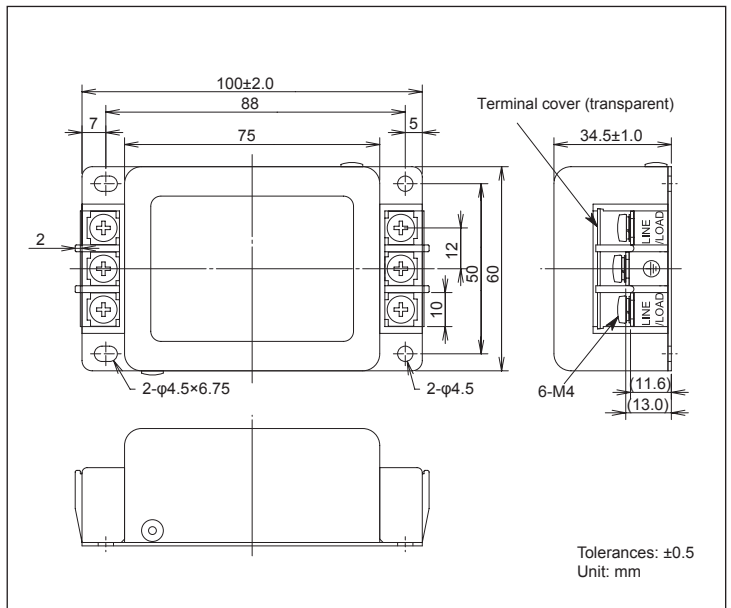
- Information processing devices, Office appliances, and Various control systems (elevators).



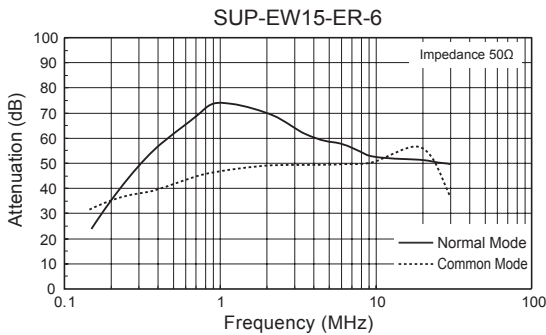
Safety Standard		File No.
UL	:UL1283	E78644
cUL	:C22.2, No.8-M1986	
SEMKO	:EN60939	SE/0142-12

The "ENEC" mark is a common European product certification mark based on testing to harmonised European safety standard.

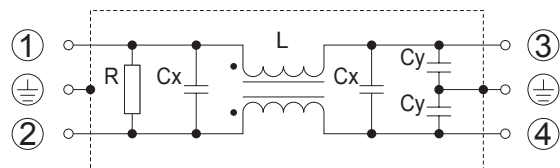
Dimensions (5~30A)



Static characteristics



Circuit (5~30A)



Electrical Specifications

Rated Voltage **250VAC**

Safety Standard	Model Number	Rated Current (A)	Test Voltage	Insulation Resistance	Leakage Current max.	Voltage Drop max.	Temperature Rise max.	Operating Temperature (°C)	Insertion losses		Weight typ.(g)
									Normal Mode (MHz)	Common Mode (MHz)	
	SUP-EW5-ER-6	5	Line to Case 2,500VAC 50/60Hz 60sec	Line to Case 100MΩmin (at 500VDC)	1mA (at 250VAC 60Hz)	1.0VAC	45K	-25 ~ +55 (100°C with Temp. rise)	0.3 ~ 20	0.15 ~ 20	300
	SUP-EW10-ER-6	10							*0.15 ~ 20		
	SUP-EW15-ER-6	15							*0.7 ~ 20		
	SUP-EW20-ER-6	20							*2.0 ~ 20		
	SUP-EW30-ER-6	30									

Guaranteed attenuation is more than 35dB in normal and 25dB in common mode. (*more than 20dB)
Available leakage current 70μA max.(250VAC, 60Hz) type for medical equipments and low leakage current equipments.