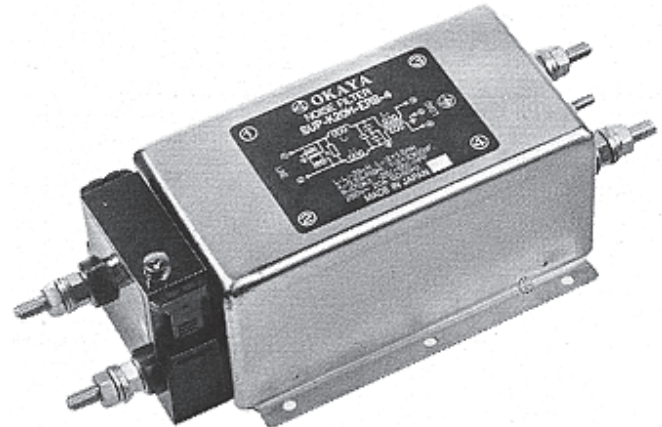


Features

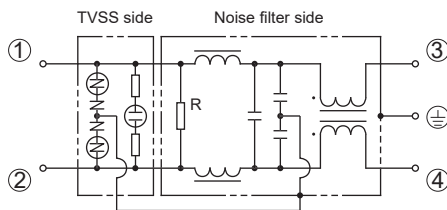
- Normal and common attenuation to 30MHz.
- VCCI, FCC, Part15.
- EMI/ RFI filter with transient voltage protection.
- TVS protection monitoring indicator.
- TVS protector is replaceable.

Applications

- Information processing systems, Control systems and NC machinery.

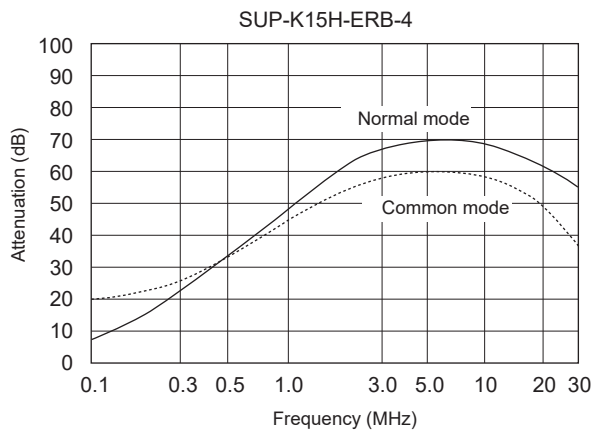


Circuit

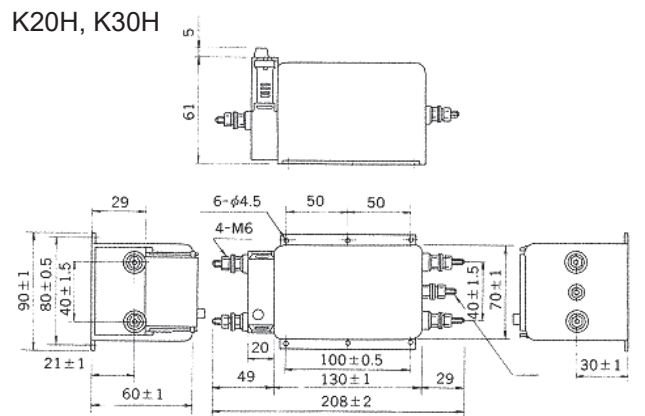
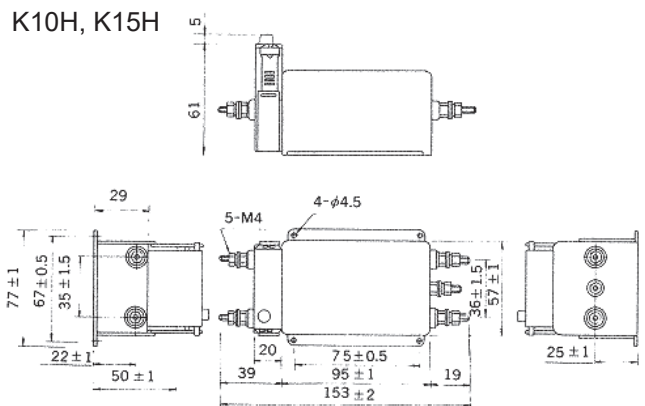


Bleeder resistor R: 1MΩ (K10H, K15H)
470kΩ (K20H, K30H)

Static characteristics (Representative example)



Dimensions



Unit: mm

Electrical Specifications

Model Number	Rated Voltage (Vac)	Rated Current (A)	Surge Voltage Withstand	Insulation Resistance	Leakage Current max.	Voltage Drop max.	Temperature Rise max.	Operating Temperature (°C)	Insertion losses		Weight typ.(g)
									Normal Mode (MHz)	Common Mode (MHz)	
SUP-K10H-ERB-4P1	125	10	Line to Case 1.2/50μS 12kV	Line to Case 100MΩmin. (at 100Vdc)	0.5 mA (at 125Vac 60Hz)	1.5Vac	30K	-25 ~ +55 (85°C with Temp. rise)	0.6 ~ 30	0.5 ~ 20	660
SUP-K15H-ERB-4P1		15							1.0~30	1.0~30	
SUP-K20H-ERB-4P1		20							0.5~30	0.9~30	1,500
SUP-K30H-ERB-4P1		30							0.7~30	2.0~30	
SUP-K10H-ERB-4P2	250	10	Line to Case 1.2/50μS 12kV	Line to Case 100MΩmin. (at 100Vdc)	1.0 mA (at 250Vac 60Hz)	1.5Vac	30K	-25 ~ +55 (85°C with Temp. rise)	0.6~30	0.5~30	660
SUP-K15H-ERB-4P2		15							1.0~30	1.0~30	
SUP-K20H-ERB-4P2		20							0.5~30	0.9~30	1,500
SUP-K30H-ERB-4P2		30							0.7~30	2.0~30	

Test Voltage: (Line to Line) 1,000Vac 50/60Hz 60sec
(Line to Ground) 2,000Vac 50/60Hz 60sec

Guaranteed attenuation is more than 30dB.