



**Features**

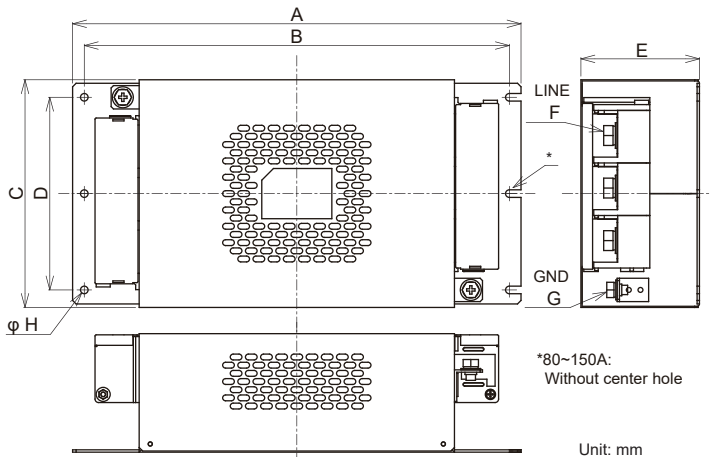
- Low profile
- Three-phase filter delta (250Vac)
- The capacitance of Y cap is selectable

**Applications**

- Inverter power supplies, UPS, NC controlled machineries



**Dimensions**



Model Number	Dimensions (mm)							
	A	B	C	D	E	F	G	H
3SUPF-DE80-F	273	257	160	135	85	M8	M6	6.5
3SUPF-DE100-F								
3SUPF-DE150-F	287	269	190	165	86	M8	M8	
3SUPF-DE200-F								
3SUPF-DE250-F	384	364	195	102	M10	M8		
3SUPF-DE300-F								

**Electrical Specifications**

Rated Voltage **250Vac**

Safety Standard	Model Number*1	Rated Current (A)	Test Voltage *2	Insulation Resistance	Leakage Current *3 max.	Voltage Drop max.	Temperature Rise max.	Operating Temperature (°C)	Weight typ.(kg)
	3SUPF-DE80-F	80	Line to Case 2,500Vac 50/60Hz 60sec	Line to case 100MΩmin (at 500Vdc)	2.8mA (at 250Vac 60Hz)	1.0Vac	60K	-25 ~ +50 (Derating of current from 50 to 85°C)	4.2
	3SUPF-DE100-F	100							4.2
	3SUPF-DE150-F	150							6.0
	3SUPF-DE200-F	200							8.0
	3SUPF-DE250-F	250							8.0
	3SUPF-DE300-F	300							7.8

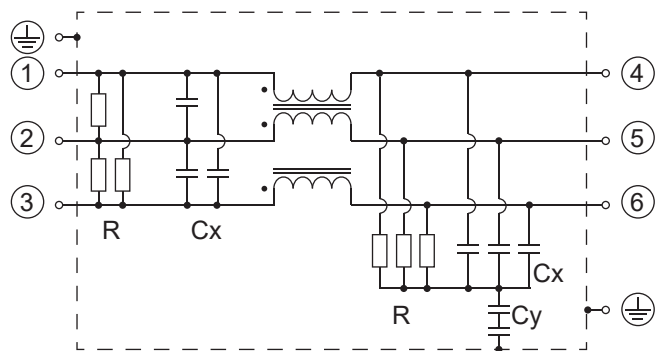
\*1 Standard type \*2 Leakage current of Standard type \*3 Leakage current of standard type



Safety Standard	File No.
UL :UL-1283	E78644
cUL :CSA C22.2 No.8	
ENEC :EN60939-3	SE-ENEC-2201018R1

The "ENEC" mark is a common European product certification mark based on testing to harmonised European safety standard.  
\*File No. may be revised without notice. Please contact us at the time of your request for certifications.

**Circuit**



**Static characteristics (Representative example)**

