

### Features

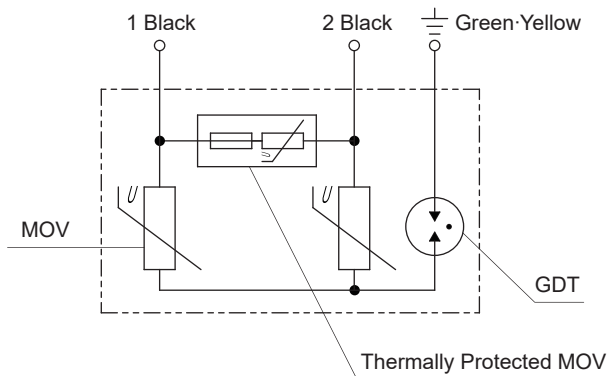
- Compact size SPD of rated AC150 / 250V available
- No use the fuse to between lines circuit because of SPD has a built-in separation mechanism.
- Impulse discharge current 8/20 $\mu$ s-2kA  
Common mode (1.2/50 $\mu$ s(R=12 $\Omega$ )-15kV) available

### Applications

- LED security light, LED street light

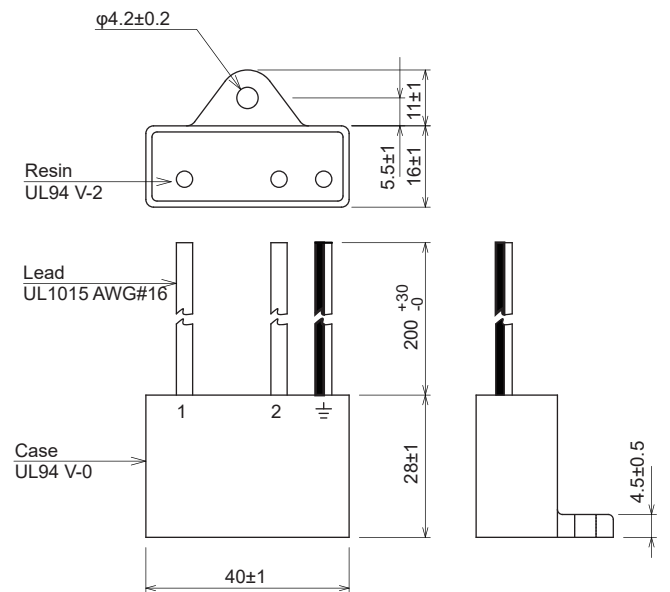


### • Circuit



GDT: Gas-filled discharge tubes  
MOV: Metal oxide Varistors

### • Dimensions



Unit: mm

### Electrical Specifications

Model Number		Rated Voltage 50/60Hz (Vac)	Max. Line Voltage (Vac)	Varistor Voltage (V) $\pm 10\%$	DC Breakdown Voltage Ez (V) $\pm 30\%$	Withstand Voltage Test	Impulse Discharge Current 8/20 $\mu$ s (A)	Insulation Resistance IR (M $\Omega$ ) min. DC500V	Weight (g) Approx.
R·A·M-152BQZ(LED)	1-2	250	300	470	-	-	2,000	>1,000	40
	1,2- $\frac{1}{2}$	-	-	-	1,200	-			
R·A·M-801BQZ	1-2	125	150	240	-	-	2,000	>1,000	40
	1,2- $\frac{1}{2}$	-	-	-	800	-			
R·A·M-242BQZ	1-2	125	150	240	-	-	2,000	>1,000	40
	1,2- $\frac{1}{2}$	-	-	-	2,400	AC1,000V 60s AC1,250V 3s			

Operating Temperature: -40~+70°C