



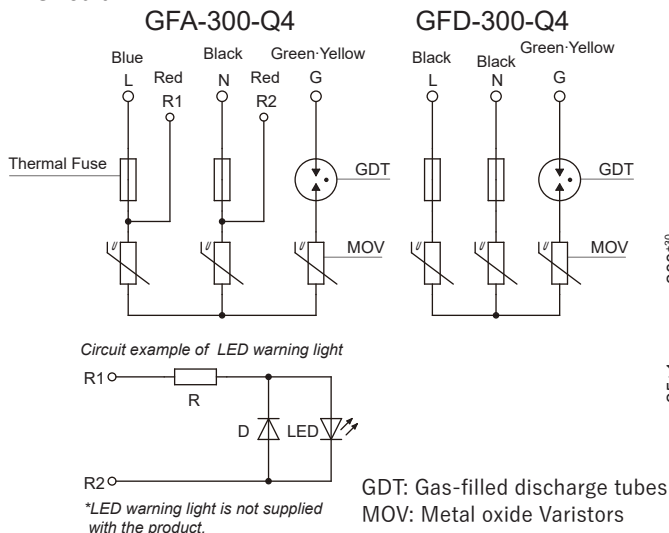
Features

- SPD with a fail safe function to prevent short-circuit (separation of circuit and alarm contact that is easily to found the timing of changing the products)
- Nominal discharge current (In) 8/20µs-2.5kA
Max. discharge current (Imax) 8/20µs-5kA
- Voltage protection level
- Common mode 1.2/50µs-15kV available.
- Impulse test category: Class II (Type II)

Applications

- Power conditioner for solar photovoltaic system
- LED exterior illumination
- Tapping machine, NC machine, other machine tools
- Lithography equipment, Washing device, IC tester
- Injection molding machine, Winding machine, Surface mounter
- Vehicle air conditioner
- Servo amplifier
- Electric facility, Industrial equipment

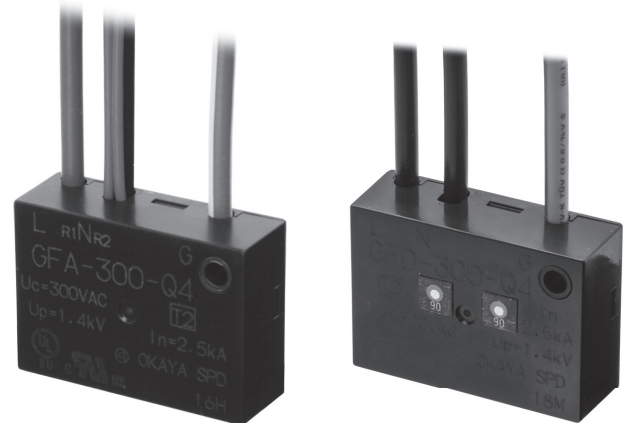
Circuit



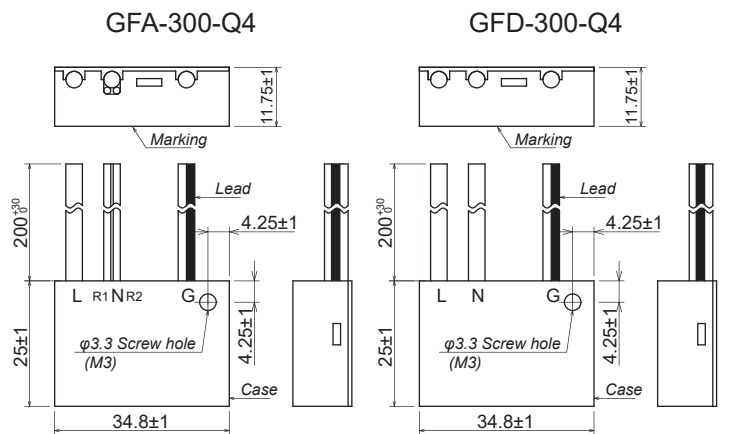
Safety Standard		File No.*2
UL	:UL1449	E322107
cUL	:C22.2 No.269.5	
UL-EU*1	:IEC61643-1 :EN61643-11	

*1 UL-EU: GFA-300-Q4 only

*2 File No. may be revised without notice. Please contact us at the time of your request for certifications.



Dimensions



Electrical Specifications

Safety Standard	Model Number	Rated Voltage 50/60Hz (Vac)	Max. Continuous Operating Voltage (Vac)	Varistor Voltage (V) ±10%	DC Breakdown Voltage Ez +30	Impulse Life Test 8/20µs 1,000A (times)	Nominal Discharge Current 8/20µs (A)	Max. Discharge Current 8/20µs (A)	Voltage Protection Level (V)
cUL US UL EU	GFA-300-Q4	L-N	250	300	480	Aprox.300	2,500	5,000	1,400
		L, N-G	-	-	-				
cUL US	GFD-300-Q4	L-N	250	300	480	Aprox.300	2,500	5,000	1,400
		L, N-G	-	-	-				

Operating Temperature GFA: -40~+90°C, GFD: -40~+70°C