

**Features**

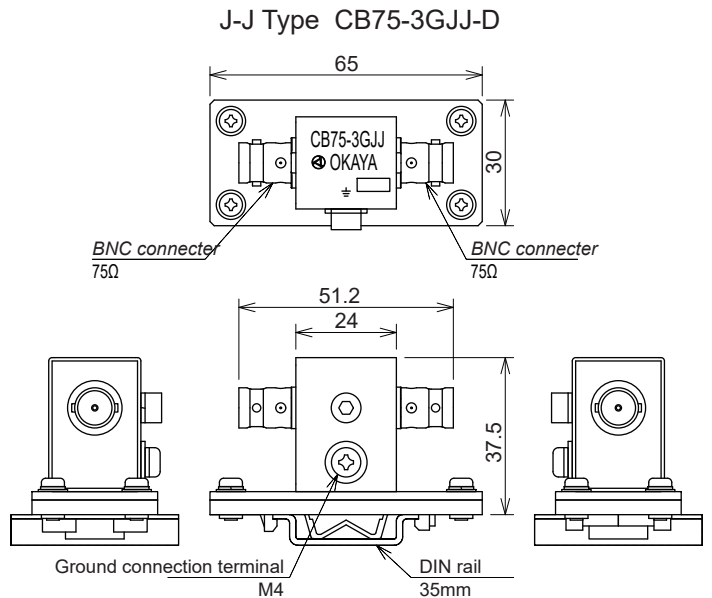
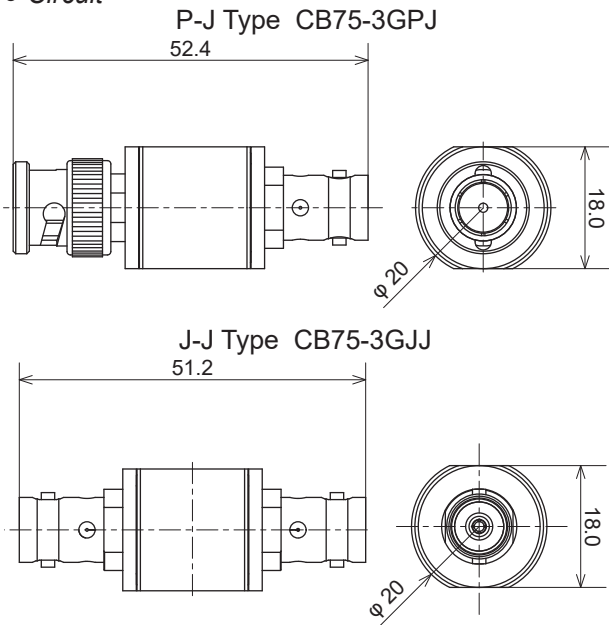
- BNC connector type, impedance 75
- Frequency range 3GHz, applicability to HD-SDI signal
- Plug to jack (P-J type), jack to jack (J-J type)
- Lineup of J-J type with DIN rail mounting terminal block
- Recommendation of JIS C 5381-21
- Conforming to the standard specification of the Ministry of land, infrastructure and transport
- Impulse discharge current (Line - ground)  
8/20 $\mu$ s-5,000A (category C2)  
10/350 $\mu$ s-1,000A (category D1)

**Applications**

- HD-SDI security camera



• **Circuit**



\*Ground connection terminal Screw hole size M4 Depth 3.0 mm (can not abut)

When using, please be sure to connect the ground wire.

Unit: mm

**Electrical Specifications**

Connector Type	Transmission Performance				Voltage Protection Level (Line - Ground)	Impulse Durability (Line - Ground)	
	Frequency Range	V.S.W.R.	Insertion Loss	Characteristic Impedance		Category C2	Category D1
BNC	DC~3GHz	1.3 max.	0.3dB max.	75 $\Omega$	700V max. (Representative value)	8/20 $\mu$ s 5kA 10times	10/350 $\mu$ s 1kA 2times

Operating Temperature: -20~+60°C