

Features

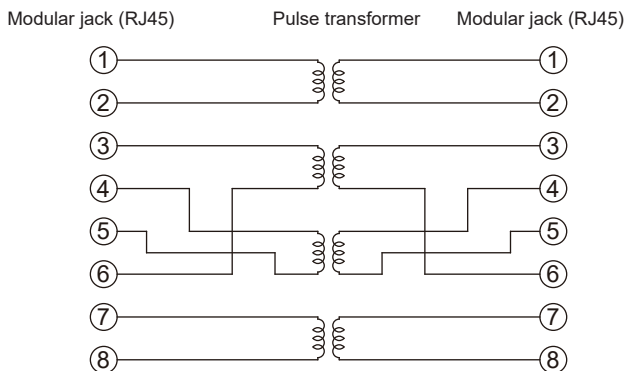
- Corresponding to impulse withstand voltage of 15kV
- Corresponding to AC withstand voltage of 4kV
- Corresponding to high speed LAN(1000BASE-T) of Cat5e
- PoE is not supported
- Isolated LAN SPD that requires no grounding
- Available for DIN rail installation

Applications

- Road traffic and related equipment
- Outdoor display
- Surveillance camera
- Office building etc. Protection of each LAN line



Circuit



Electrical Specifications

Model Number	RLAN-IS15K-D
Application	10BASE-T 100BASE-Tx 1000BASE-T
Insertion Loss	DC~100MHz 2.0dB max.
Near-end Crosstalk	DC~100MHz 34.0dB min.
AC withstanding voltage	AC4kV-60s
Impulse withstanding voltage	15kV-10times 1.2/50μs

Operating Temperature: -20~+75°C

Dimensions

