



Features

- SPD with a fail safe function to prevent short-circuit (separation of circuit and element is visually confirmable)
- IEC 61643-11 Certification Obtained
- Impulse test category: JIS C 5381-11 Class II
Nominal discharge current: 8/20µs-2,500A
Max. discharge current : 8/20µs-5,000A
- Lightning protection for single-phase and three-phase power supplies
- SCCR=5kA (UL Type 2CA)
- Protection rating (IP code): IP66

Applications

- Semiconductor manufacturing equipment
- Various industrial machinery
- Servo amplifier
- Outdoor LED lighting, etc.



Safety Standard		File No.*1
UL	:UL1449 *2	E322107
cUL	:C22.2 No.269.5	
UL-EU	:IEC/EN61643-11	

*1:File No. may be revised without notice. Please contact us at the time of your request for certifications.

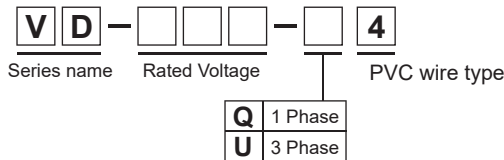
*2:Type 2CA SCCR=5kA



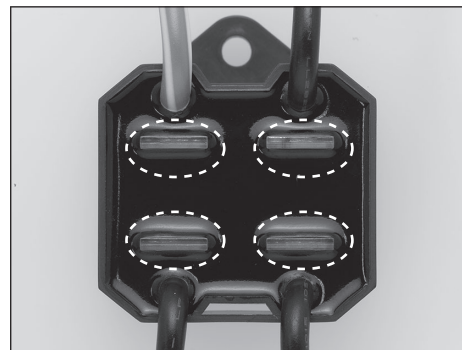
Single phase

Three phase

- Model numbering system



- Indicator of disconnecter status



Green: Normal
No Green: Abnormal

Electrical Specifications

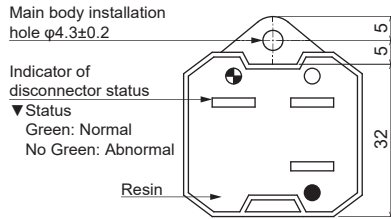
Safety Standard	Model Number			Max. Continuous Operating Voltage 50/60Hz	DC Operating Voltage (V) ±10%	DC Breakdown Voltage Ez (V) ±25%	Voltage Protection Level (V)	Nominal Discharge Current 8/20µs (A)	Max. Discharge Current 8/20µs (A)	Impulse Life Test 8/20µs 1,000A
	Phase	Configuration	Rated Voltage							
	VD-275-Q4	1-Phase	L-N	AC275V	480	-	1,500	2,500	5,000	Approx. 500 times
			L,N-GND		-	700				
	VD-275-U4	3-Phase	1-2-3		480	-				
			1,2,3-GND		-	700				
	VD-480-Q4	1-Phase	L-N	AC480V	780	-	2,000	2,500	5,000	Approx. 500 times
			L,N-GND		-	1,100				
	VD-480-U4	3-Phase	1-2-3		780	-				
			1,2,3-GND		-	1,100				
	VD-550-U4	3-Phase	1-2-3	AC550V	940	-	2,500	2,500	5,000	Approx. 500 times
					1,2,3-GND	-				

Operating Temperature: -40~+70°C

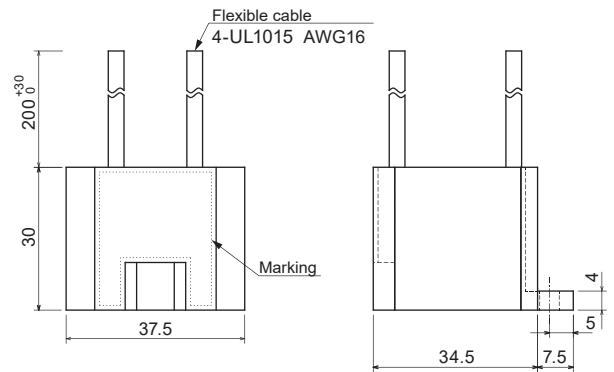
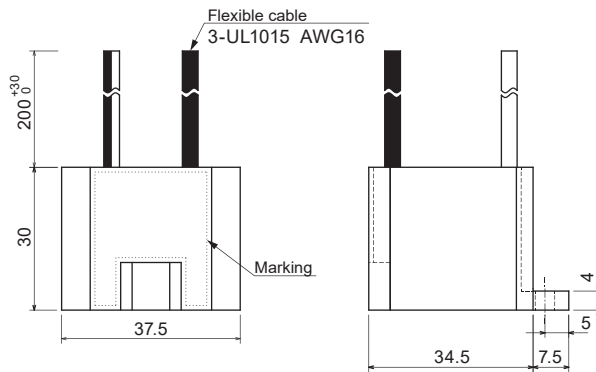
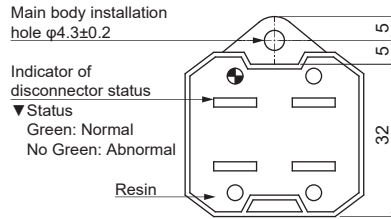


● **Dimensions**

VD-□□□-Q4 series (Single-Phase)



VD-□□□-U4 series (Three-Phase)

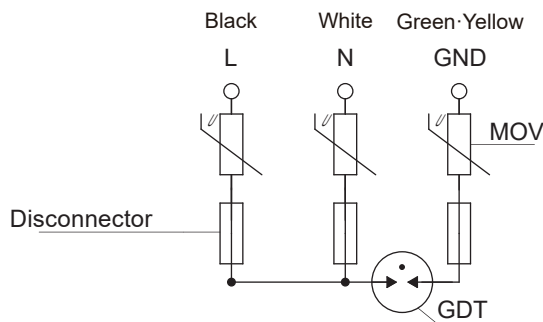


Unit: mm
Unless otherwise specified, the dimensional tolerance is ± 1.0 mm

Please note that minor chips, stains, scratches, or air bubbles do not affect the product's electrical performance.

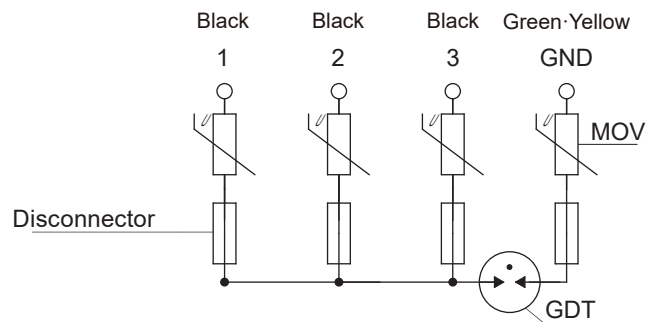
● **Circuit**

VD-□□□-Q4 series (Single-Phase)



GDT: Gas-filled discharge tubes
MOV: Metal oxide Varistors

VD-□□□-U4 series (Three-Phase) *



*Flexible wires in black color can connect to each phase without any specific control.