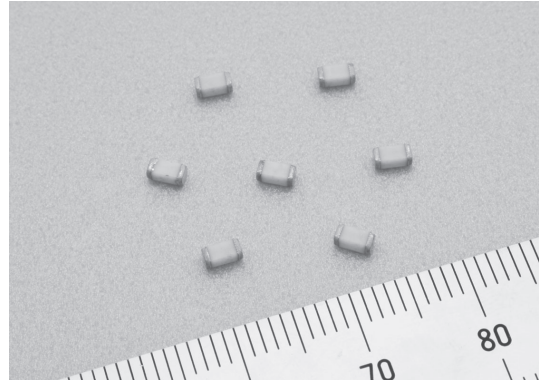


RHCA3216 series is chip surge absorber for protection from static electricity/indirect lighting surge, smaller and thinner than ceramic tube lead type, adaptable for high density surface mount technology. Impulse current capacity is 500A 8/20μs.



Safety Standard	File No.*
UL :UL497B	E139599

* File No. may be revised without notice. Please contact us at the time of your request for certifications.

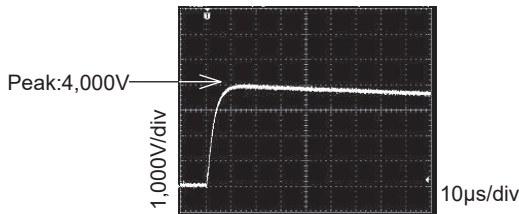


Features

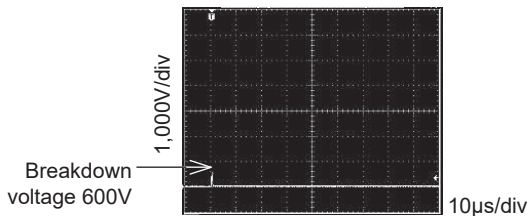
- Chip surge absorber for protection from static electricity/indirect lighting surge, adaptable to high density surface mount technology
- Usable for reflow / flow soldering
- Compliance with IEC61000-4-5
 1. Surge current capacity 8/20μs-500A ±5times
 2. 10/700μs 4,000V (R=25Ω) ±5times
- Good impulse absorbency
- Electrostatic capacity (Maximum 0.15pF)
- Embossed taping
- RoHS Directive-compliant components

Impulse Absorption Characteristics

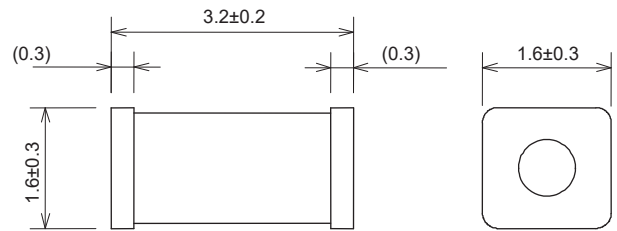
Impulse waveform 10/700μs-4,000V, IEC61000-4-5



RHCA-201Q31U



Dimensions



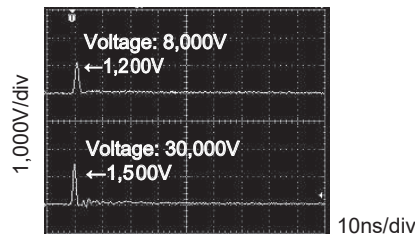
*Without marking

Unit: mm

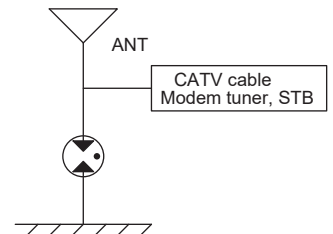
IEC61000-4-2 150pF-330Ω-□kV

RHCA-201Q31U

ESD impulse waveform



Example

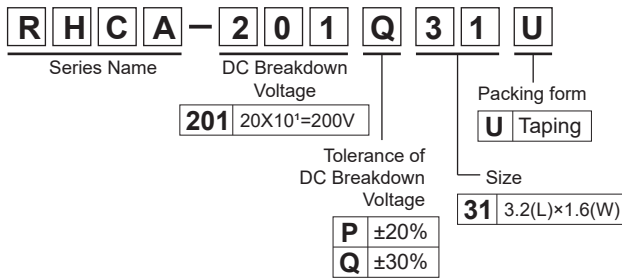


Electrical Specifications

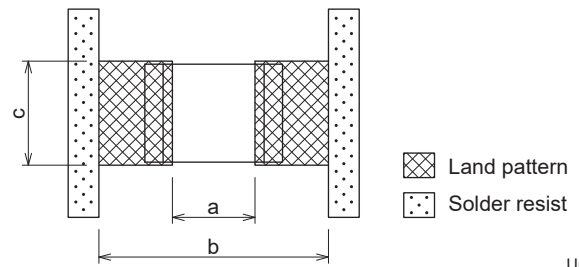
Safety Standard	Model Number *1	DC Breakdown Voltage (V)	Insulation Resistance (MΩ) min.	Capacitance 1MHz (pF) max	Impulse Life Test	Impulse Current Capacity	Impulse Withstanding Voltage Capacity*2
	RHCA-900□31U	90	100(DC50V)	0.15	8/20μs, 50A 300 times	8/20μs, 500A (R=2Ω) Positive/Negative 5 times	10/700μs, 4,000V (R=25Ω) Positive/Negative 5 times
	RHCA-201□31U	200					
	RHCA-301□31U	300	100(DC100V)				
	RHCA-401□31U	400					
	RHCA-501□31U	500					

*1 □: Tolerance ±20%=P, Tolerance ±30%=Q *2 Comforms to ITU-T K.20, K.21 Enhanced test
Operating Temperature: -40~+85°C

● Model numbering system



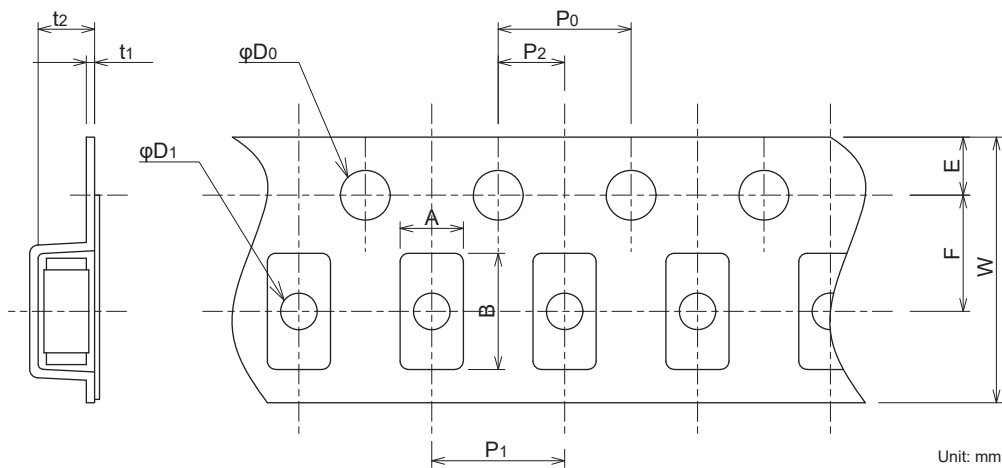
● Recommended Land Pattern (Typical value)



Unit: mm

	Dimensions (mm)		
	a	b	c
Reflow Soldering	1.8 ~ 2.5	3.8 ~ 5.5	1.2 ~ 2.0
Flow Soldering		2.4 ~ 3.6	1.2 ~ 1.6

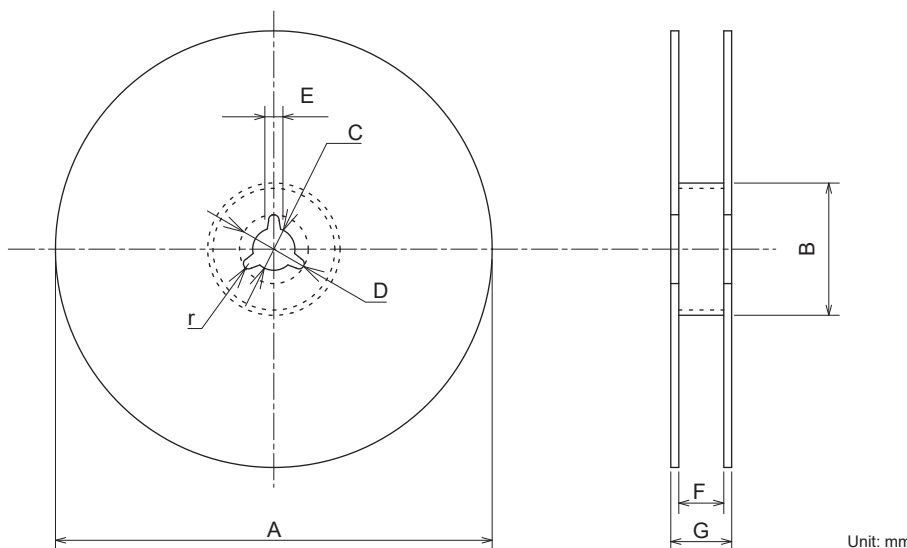
● Taping Dimensions



Unit: mm

Dimensions (mm)	
A	1.9 ^{+0.2} _{-0.1}
B	3.5±0.1
W	8.0±0.3
F	3.5±0.05
E	1.75±0.1
P ₁	4.0±0.1
P ₂	2.0±0.05
P ₀	4.0±0.1
D ₀	φ 1.5 ^{+0.1} ₀
D ₁	φ 1.1±0.1
t ₁	0.3±0.1
t ₂	2.0 ^{+0.1} _{-0.4}

● Reel Dimensions (2,000pcs per one reel)



Unit: mm

Dimensions (mm)	
A	φ 180.0 ⁺⁰ _{-1.5}
B	φ 60 ⁺¹ ₋₀
C	φ 13.0±0.2
D	φ 21.0±0.8
E	2.0±0.5
F	9.0 ^{+1.0} _{-0.5}
G	11.4±1.0
r	1.0