

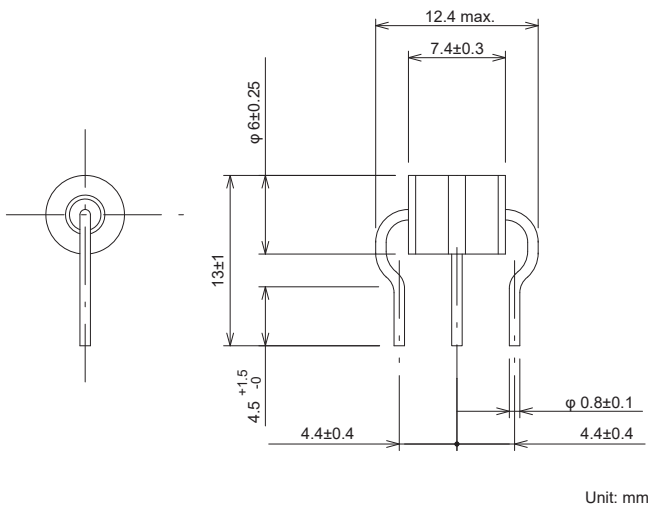
Features

- High impulse current capability
- Withstands AC current
- High insulation resistance and low capacitance
- Recommendation of ITU-T conformity

Applications

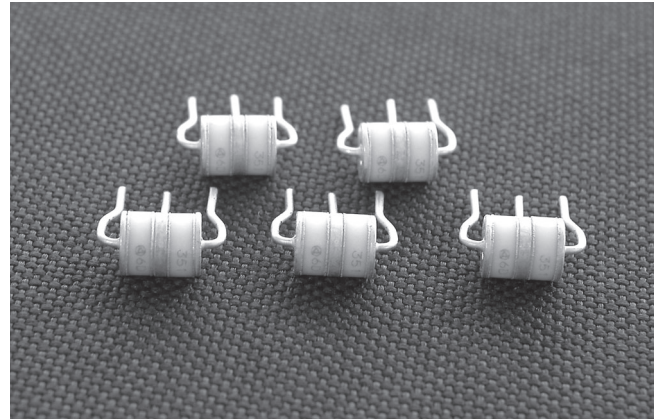
- Telephone, PBX, wireless base station, optical transmission equipments, CATV transmission equipments, fire alarm systems and home security systems

Dimensions

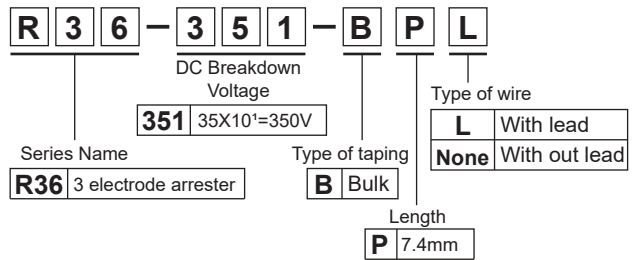


Safety Standard	File No.*
UL :UL497B	E139599

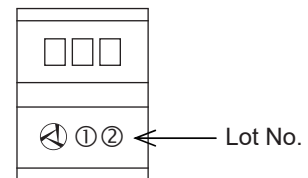
* File No. may be revised without notice. Please contact us at the time of your request for certifications.



Model numbering system



Description of marking



□□□..... DC Breakdown Voltage (eg.) R36-351-BPL→351

[Lot No.] ①..... Identification of manufacture year (eg.) 2023→3
②..... Manufacture month (see below)

Month	1	2	3	4	5	6	7	8	9	10	11	12
Symbol	A	B	D	E	F	G	H	J	K	L	M	N

Electrical Specifications

(Conforms to ITU-T)

Safety Standard	Model Number	DC Breakdown Voltage 100V/s ~ 2,000V/s (V) ±20%	Impulse Sparkover Voltage 100V/μs (V) max.*	Insulation Resistance (MΩ) min.	Capacitance 1MHz (pF) max.	Impulse Life Test 10/1,000μs (A) 300 times	Alternating Discharge Current 50Hz, 1s 10 times (A)	Impulse Discharge Current 8/20μs (A)
	R36-900-BPL	90	450	10,000(DC50V)	1.0	50	5	5,000
	R36-231-BPL	230	600	10,000(DC100V)				
	R36-351-BPL	350	750					
	R36-421-BPL	420	900					
	R36-601-BPL	600	1,300					

* Representative value
Operating Temperature: -40~+90°C