

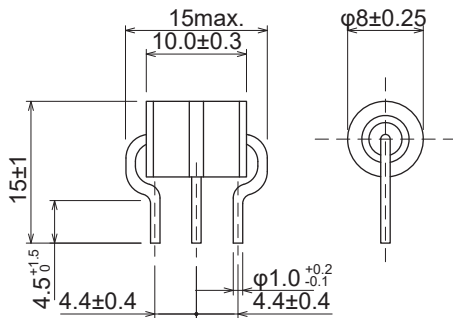
### Features

- High impulse current capability
- Withstands AC current
- High insulation resistance and low capacitance
- Recommendation of ITU-T conformity

### Applications

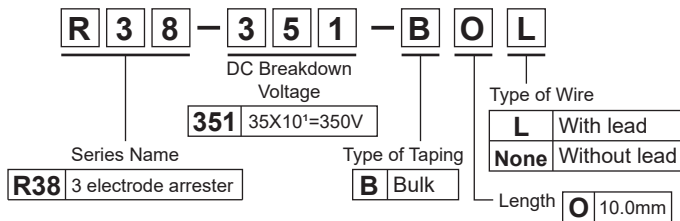
- Telephone, PBX, wireless base station, optical transmission equipments, CATV transmission equipments, fire alarm systems and home security systems

### Dimensions



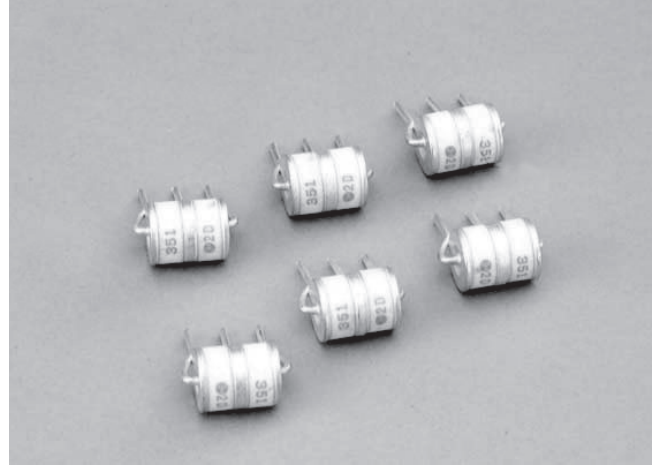
Unit: mm

### Model numbering system

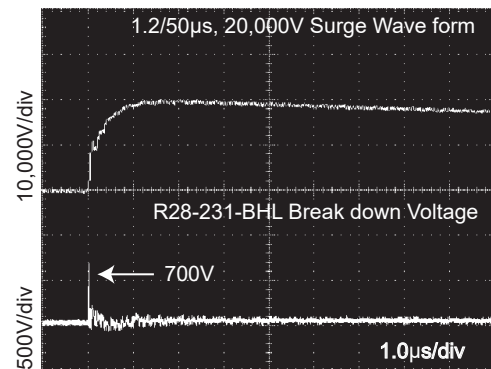
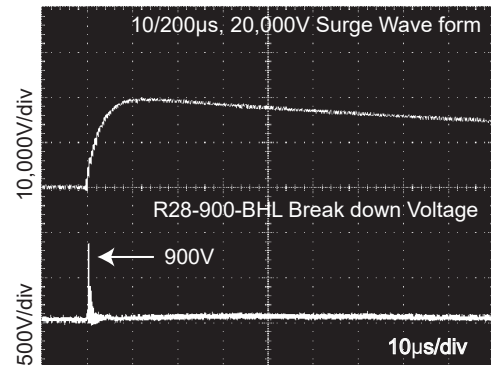


Safety Standard	File No.*
UL :UL497B	E139599

\* File No. may be revised without notice. Please contact us at the time of your request for certifications.



### Impulse Absorption Characteristics



### Electrical Specifications

(Conforms to ITU-T)

Safety Standard	Model Number	DC Breakdown Voltage 100V/s ~ 2,000V/s (V) ±20%	Impulse Sparkover Voltage 100V/μs (V) max.	Insulation Resistance (MΩ) min.	Capacitance 1MHz max. (pF)	Impulse Life Test 10/1,000μs (A) 300 times	Alternating Discharge Current 50Hz, 1s 10 times (A)	Impulse Discharge Current 8/20μs (A) 10 times
	R38-900-BOL	90	450	10,000(DC50V)	1.5	100	10	10,000
	R38-231-BOL	230	600	10,000(DC100V)				
	R38-351-BOL	350	750					
	R38-421-BOL	420	900					
	R38-601-BOL	600	1,300					

\* Representative value  
Operating Temperature: -40~+90°C