



3SUP□-DE (400) SERIES

NOISE FILTERS



Features

- Three phase filter delta (250Vac)
- The capacitance of Y cap is selectable

Applications

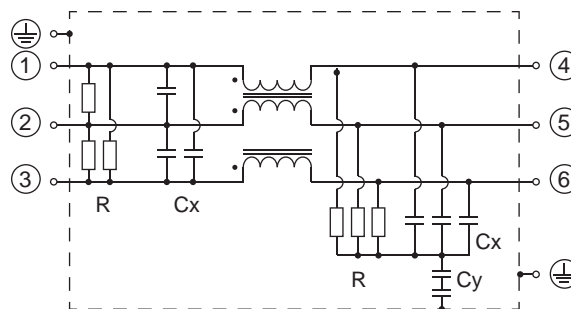
- Inverter power supplies, UPS, NC controlled machineries.



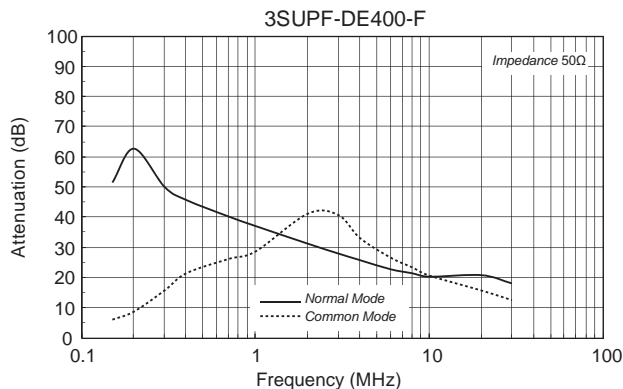
| Safety Standard | | File No. |
|-----------------|--------------------|------------|
| UL | :UL1283 | E78644 |
| cUL | :C22.2, No.8-M1986 | |
| SEMKO | :EN60939 | SE/0142-35 |

The "ENEC" mark is a common European product certification mark based on testing to harmonised European safety standard.

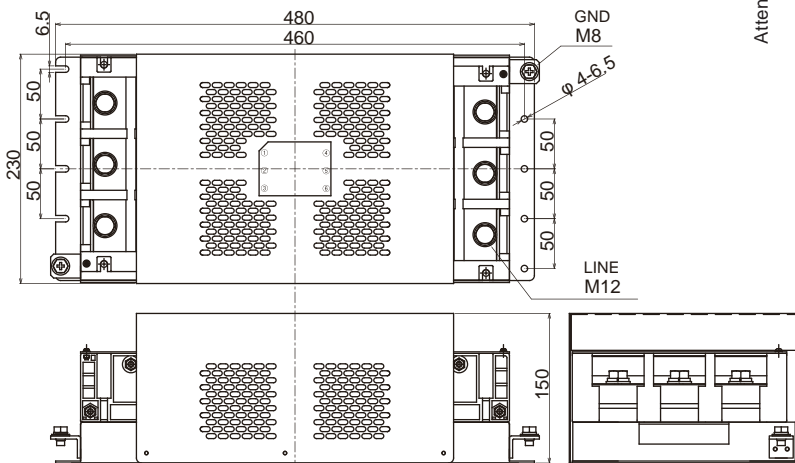
• Circuit



• Static characteristics (Representative example)



• Dimensions



Unit: mm

Electrical Specifications

Rated Voltage **250Vac**

| Safety Standard | Model Number*1 | Rated Current (A) | Test Voltage *2 | Insulation Resistance | Leakage Current *3 max. | Voltage Drop max. | Temperature Rise max. | Operating Temperature (°C) | Weight typ.(kg) |
|-----------------|----------------|-------------------|---|---|------------------------------|-------------------|-----------------------|---|-----------------|
| | 3SUP□-DE400-F | 400 | Line to Case 2,500Vac 50/60Hz 60sec | Line to case 100MΩmin (at 500Vdc) | 2.8mA (at 250Vac 60Hz) | 1.0Vac | 50K | -25 ~ +50 (Derating of current from 50 to 85°C) | 10.5 |

□= F: Ferrite, H: High-μ

*1 Standard type *2 Leakage current of Standard type *3 Leakage current of standard type