



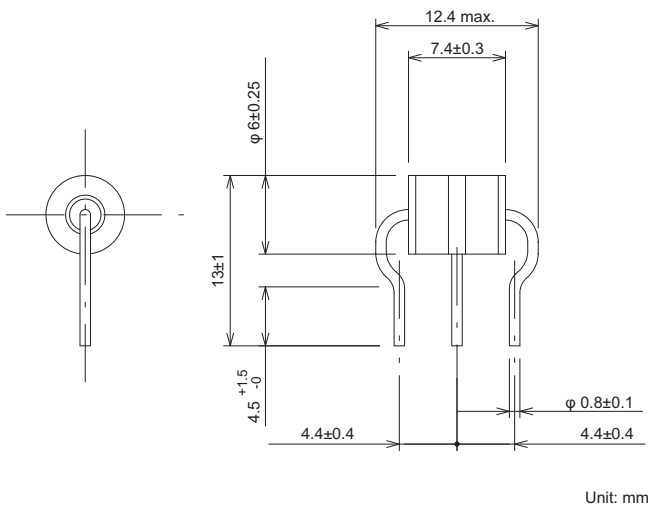
Features

- Quick response for surge.
- High impulse current capacity.
- It can withstand alternating current.
- Excellent insulation resistance and small capacitance.
- Recommendation of ITU-T conformity.

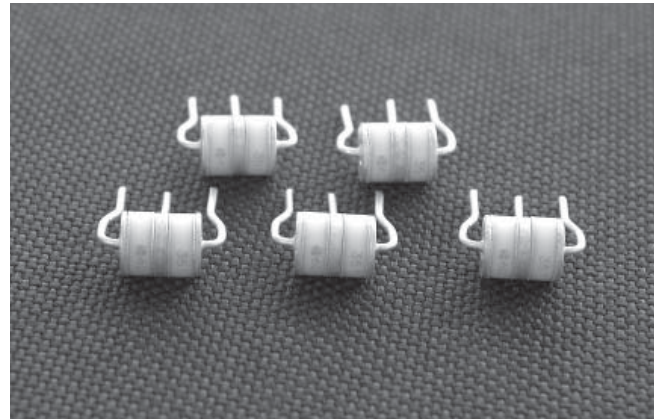
Applications

- Telephone, PBX, Wireless base station, Optical transmission equipments, CATV transmission equipments, Fire alarm systems and Home security systems. RoHS restriction complied.

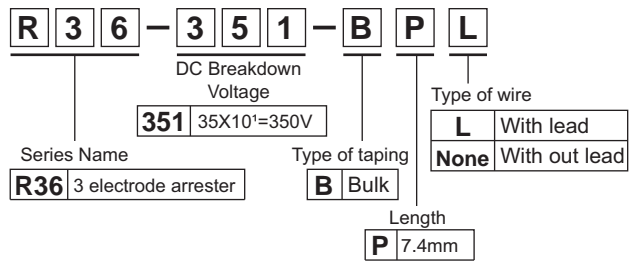
Dimensions



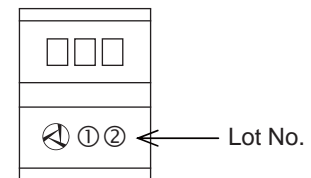
Safety Standard	File No.
UL :UL497B	E139599



Model numbering system



Description of marking



□□□..... DC Breakdown Voltage eg.) R36-351-BPL→351

[Lot No.] ①..... Identification of manufacture year eg.) 2016→6
②..... Manufacture month (see below)

Month	1	2	3	4	5	6	7	8	9	10	11	12
Symbol	A	B	D	E	F	G	H	J	K	L	M	N

Electrical Specifications

(Conforms to ITU-T)

Safety Standard	Model Number	DC Breakdown Voltage 100V/s ~ 2,000V/s (V) ±20%	Impulse Sparkover Voltage 100V/μs (V)max.	Insulation Resistance (MΩ)min.	Capacitance 1MHz (pF) max.	Impulse Life Test 10/1,000μs (A)300 times	Alternating Discharge Current 50Hz, 1s 10 times (A)	Impulse Discharge Current 8/20μs (A)
	R36-900-BPL	90	450	10,000(DC50V)	1.0	50	5	5,000
	R36-231-BPL	230	600	10,000(DC100V)				
	R36-251-BPL	250						
	R36-351-BPL	350	750					
	R36-421-BPL	420	900					
	R36-601-BPL	600	1,300					

Operating Temperature: -40~+90°C