



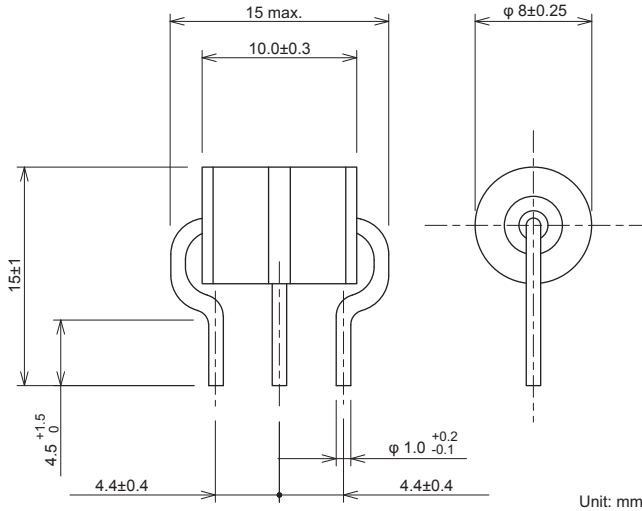
**Features**

- Quick response for surge.
- High impulse current capacity.
- It can withstand alternating current.
- Excellent insulation resistance and small capacitance.
- Recommendation of ITU-T conformity.

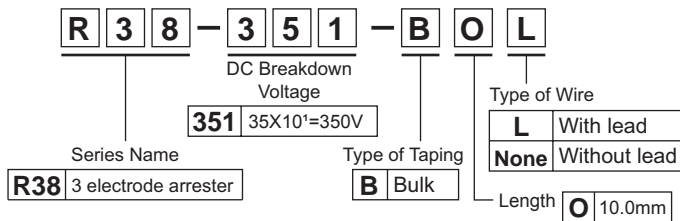
**Applications**

- Telephone, PBX, Wireless base station, Optical transmission equipments, CATV transmission equipments, Fire alarm systems and Home security systems. RoHS restriction complied.

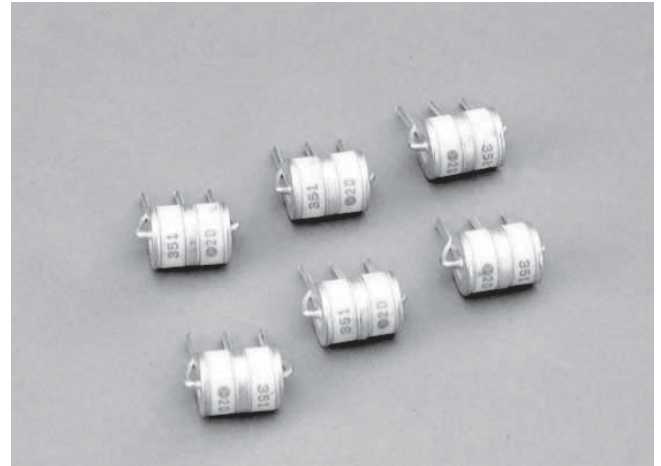
**Dimensions**



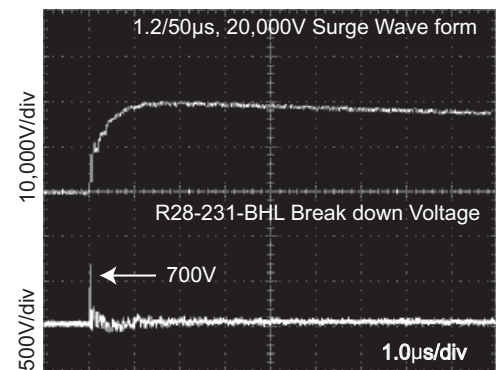
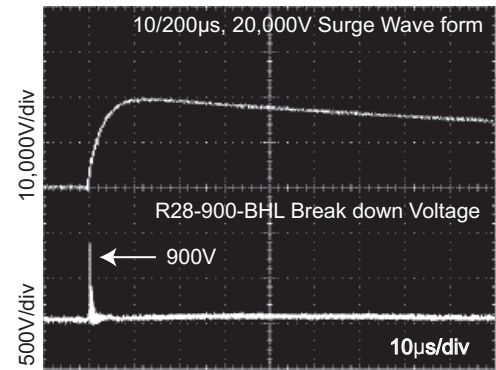
**Model numbering system**



Safety Standard	File No.
UL :UL497B	E139599



**Impulse Absorption Characteristics**



**Electrical Specifications**

(Conforms to ITU-T)

Safety Standard	Model Number	DC Breakdown Voltage 100V/s ~ 2,000V/s (V) ±20%	Impulse Sparkover Voltage 100V/µs (V) max.	Insulation Resistance (MΩ) min.	Capacitance 1MHz max. (pF)	Impulse Life Test 10/1,000µs (A) 300 times	Alternating Discharge Current 50Hz, 1s 10 times (A)	Impulse Discharge Current 8/20µs (A) 10 times
	R38-900-BOL	90	450	10,000(DC50V)	1.5	100	10	10,000
	R38-231-BOL	230	600	10,000(DC100V)				
	R38-251-BOL	250	750					
	R38-351-BOL	350	900					
	R38-421-BOL	420	1,300					
	R38-601-BOL	600						

Operating Temperature: -40~+90°C