



# RA-MX-V7-Y(SJQ) SERIES SURGE PROTECTIVE DEVICES



## Features

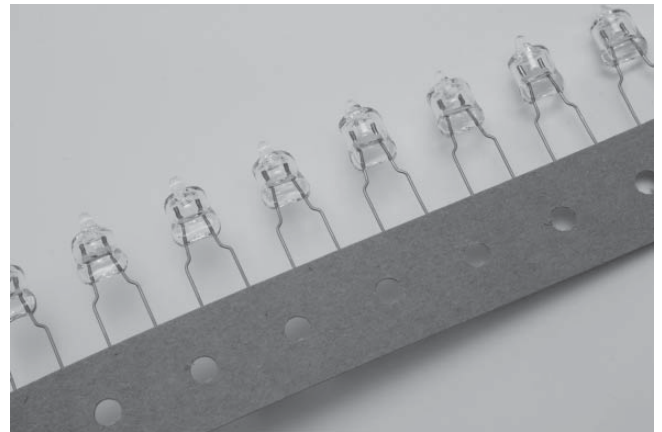
- Invented 3mm height smaller size of RA-MX-V7 (SJQ) Series compare with present productions
- Dielectric strength voltage test compliant
- High-speed response of surge
- Wide range of lineup DC4,000 and 4,500V
- Approved for UL, CSA, TÜV

## Applications

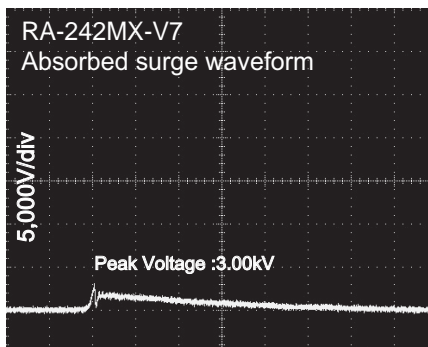
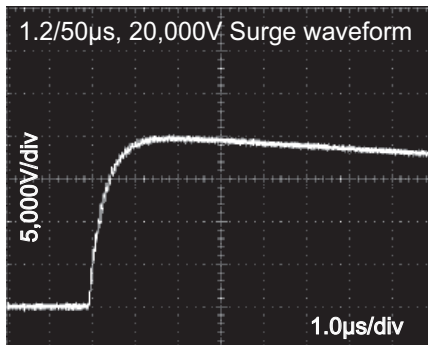
- LCD-TV, PDP-TV
- Blue-Ray recorder
- Antenna amplifier (Booster)
- Copier, Telecommunication equipment



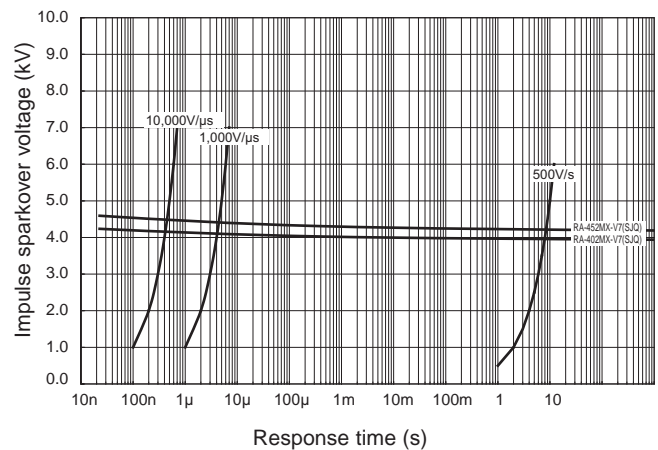
Safety Standard	File No.
UL :UL1449 3rd.	E322107
CSA :C22.2 No.60065	CA105073
TÜV :EN60065 :EN60950-1	J50114145
JQA :J60065(H26)	JQ10641-1



## Impulse Absorption Characteristics



## V-t Characteristics



## Electrical Specifications

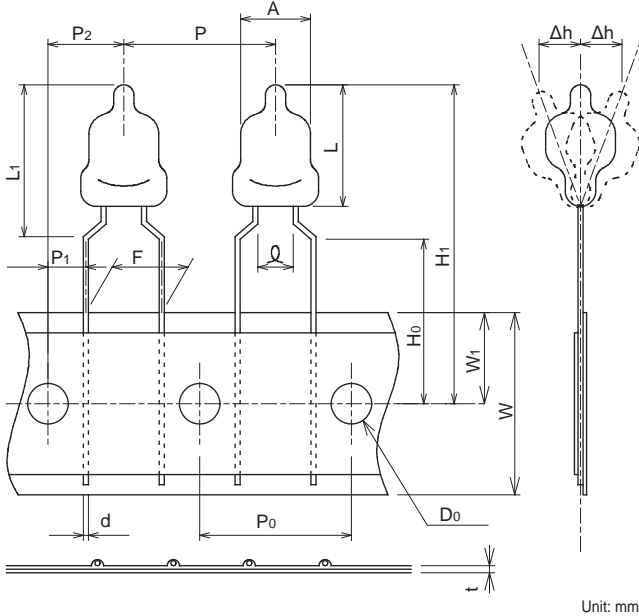
Model Number	DC Breakdown Voltage (V)	Impulse Sparkover Voltage 1.2/50 $\mu$ s (V) max.		Insulation Resistance (M $\Omega$ ) min.	Capacitance 1MHz (pF) max.	Impulse Life test 8/20 $\mu$ s 100A	Impulse Current Capacity 8/20 $\mu$ s (A)	Withstanding Voltage
		Applied Voltage	Specification					
RA-402MX-V7-Y(SJQ)	4,000(3,200~4,800) *	7,500V	7,500V max.	1,000(DC500V)	1.0	300 times	3,500	AC2,000V 60s
RA-452MX-V7-Y(SJQ)	4,500(3,600~5,400) *	8,000V	8,000V max.	1,000(DC1kV)				AC2,000V 60s

\* Reference Value  
Operating Temperature: -20~+80°C



● Taping Dimensions

RA-MX-V7-Y(SJQ)



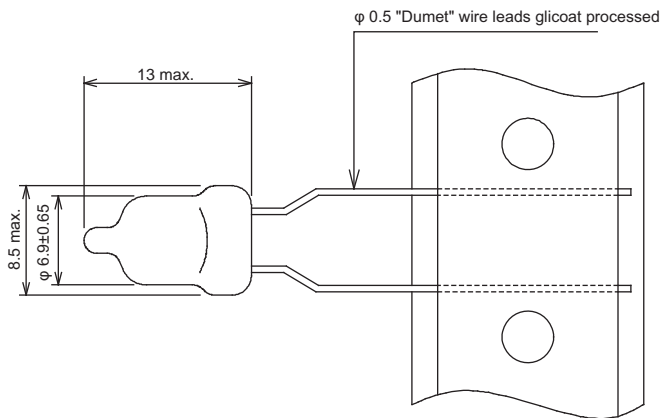
Unit: mm

Description	Symbol	Dimension	
		RA-MX-V7-Y(SJQ)	
Height	L	13.0 max.	
Lamp Diameter	A	φ 6.9±0.65	
Lead Diameter	d	φ 0.5±0.05	
Width between leads	ℓ	4.0 min.	
Product height from board	L <sub>1</sub>	18.0 max.	
Lamp pitch	P	15.0±1.0	12.7±1.0
Hole pitch	P <sub>0</sub>	15.0±0.3	12.7±0.3
Hole position	P <sub>1</sub>	3.75±0.7	3.85±0.7
	P <sub>2</sub>	7.5±1.3	6.35±1.3
Pitch between leads	F	7.5±0.5	5.0 <sup>+0.6</sup> <sub>-0.2</sub>
Declining	Δh	±2.0	
Paper width	W	18.0±0.5	
Hole position	W <sub>1</sub>	9.0±0.5	
Lead clinch height	H <sub>0</sub>	16.0±0.5	
Product height	H <sub>1</sub>	(34.5)	
Hole diameter	D <sub>0</sub>	φ 4.0±0.2	
Paper thickness	t	0.9 max.	

\*Accumulated pitch error is 50.8±0.6 at 4 pitches and 254 ± 1.5 at 20pitches.

● Forming Dimensions

RA-MX-V7-Y(SJQ)

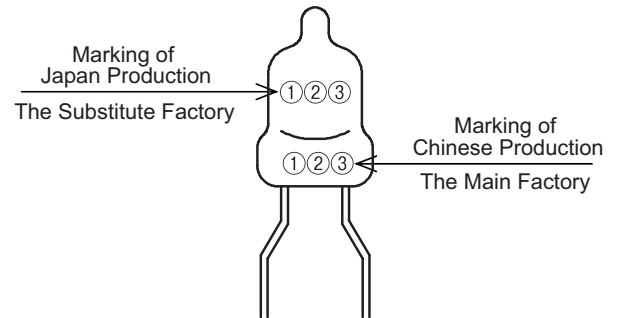


Unit: mm

● Packing Quantity per Carton

RA-MX-V7-Y(SJQ) Series: 1,500 pcs/1 carton

● Packing Description of Marking



①.....DC Sparkover Voltage

DC Sparkover voltage brevity code	402(SJQ)	452(SJQ)
Code	X	Z

②.....The year manufactured eg.(2016→6

③.....The month manufactured (see below)

Month	1	2	3	4	5	6	7	8	9	10	11	12
Symbol	A	B	D	E	F	G	H	J	K	L	M	N

**Safety Standard**

UL	CSA	TÜV	JQA	Model Number
○ <sup>-1</sup> <sub>-2</sub>	○ <sup>-3</sup> <sub>-4</sub>	○ <sup>-5</sup>	○	RA-402MX-V7-Y(SJQ)
○ <sup>-1</sup> <sub>-2</sub>	○ <sup>-3</sup> <sub>-4</sub>	○ <sup>-5</sup>	○	RA-452MX-V7-Y(SJQ)

Rated voltage <A>: Approved if it is connected to UL approved varistor <B>.

	A	B
*1	AC125V	V1.0≥270V, D≥φ7mm
*2	AC250V	V1.0≥390V, D≥φ7mm
*3	AC125V	V1.0≥270V, D≥φ14mm
*4	AC250V	V1.0≥470V, D≥φ14mm
*5	AC125V / AC250V	V1.0≥470V, D≥φ5mm