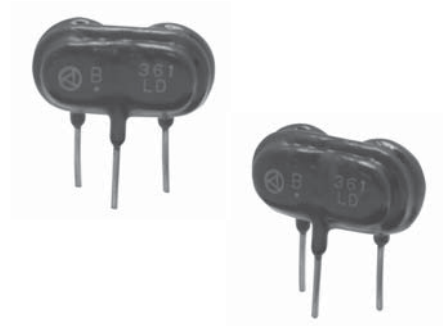




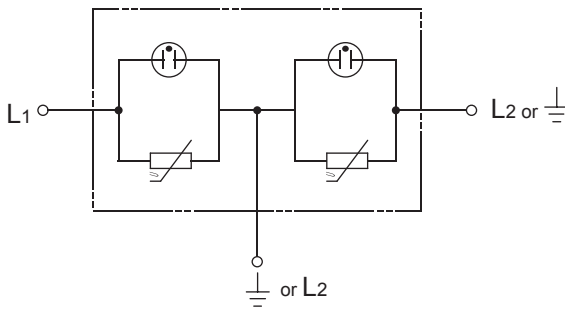
**R·A·V-LD (for protecting network line)**

RAV-LD series are designed as surge absorbers for protection of telecommunication lines from indirect lightning surges. They demonstrate extremely fast response time and positive surge absorption operation compared to gas arresters.

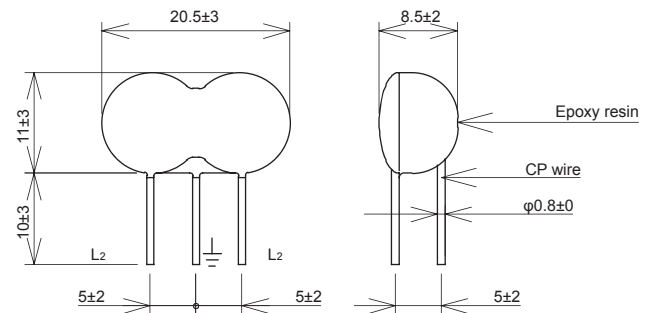
They contain two of RAV in one package with 3 leads.



● *Circuit*



● *Dimensions*



Unit: mm

**Electrical Specifications**

Model Number	Clamping Voltage (V) ±10% *1	Impulse Discharge Current 8/20µs (A)	Withstanding Impulse Voltage 1.2/50µs (V)	Response Time (ns)	Capacitance (pF) *2
R·A·V-221LD	220	2,400	12,000	50	90
R·A·V-361LD	360				50
R·A·V-401LD	400				55
R·A·V-621LD	620				40

\*1 Equivalent varistor voltage@1mA \*2 Reference Value  
Operating Temperature: -20~+70°C