



R·C·M- BQZ-4, BQZ-5 BUZ-4, BUZ-5 SERIES SURGE PROTECTIVE DEVICES



Features

- Line to Line and Line to Ground combined protection.
- UL, CSA and CE safety approvals.
- Surge protection for both Single and Three-Phase applications.
- Compact size

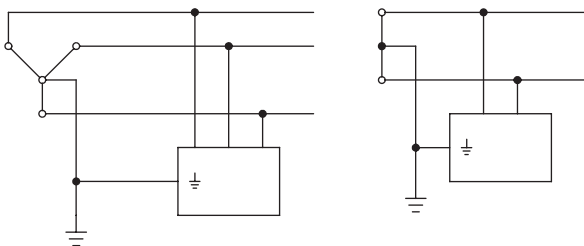
Applications

- Tapping machine, CNC turning machine, general machinery.

Rated Voltage

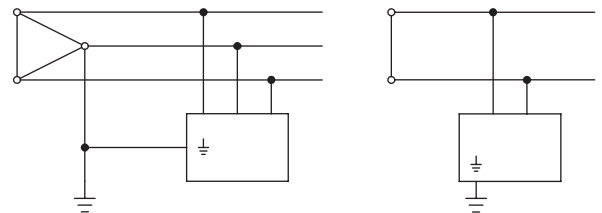
- Specification is different by delta connection and Y connection in Japan and overseas.
- Please use the RCM-BQZ and RCM-BUZ series at the rated voltage below.

- Y connection



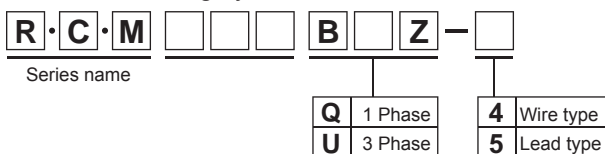
Y connection - 1 φ ~ AC430V(Line-Line) : R·C·M-781BQZ-4
 3 φ ~ AC430V(Line-Line) : R·C·M-781BUZ-4
 3 φ ~ AC500V : R·C·M-801BUZ-4

- Δ connection



Δ connection - 1 φ ~ AC250V : R·C·M-601BQZ-4
 3 φ ~ AC250V : R·C·M-601BUZ-4
 3 φ ~ AC250V : R·C·M-781BUZ-4
 3 φ ~ AC290V : R·C·M-801BUZ-4

- Model numbering system



Electrical Specifications

Safety Standard	Model Number*	Rated Voltage	Power Frequency Sparkover Voltage Ua (V) ±20%	Nominal Discharge Current ins 8/20μs (A)	Max. Standard lightning Impulse Sparkover Voltage us 1.2/50μs (V)	Max. Sparkover Voltage at front of wave lighting Impulse uas 10,000V/μs (V)	Max. Residual Voltage ur 8/20μs-2,500A (V)	Impulse Life Test 8/20μs 1,000A (times)	Max. Impulse Discharge Current Is 8/20μs (A)	
cULus TUV Rheinland	R·C·M-601BQZ-□	1 Phase	AC250V	AC560	2,500	2,000	3,000	2,000	300	5,000
	R·C·M-601BUZ-□	3 Phase								
	R·C·M-781BQZ-□	3 Phase	AC430V	AC700						
	R·C·M-781BUZ-□	3 Phase	AC250/430V							
	R·C·M-801BUZ-□	3 Phase	AC290/500V	AC800						

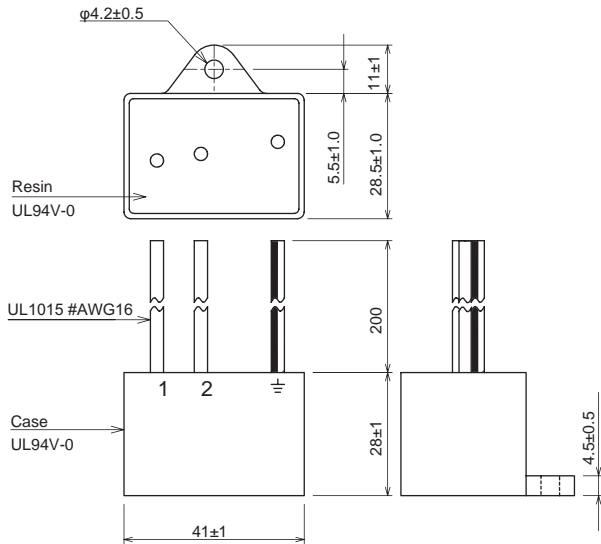
*□: Wire type=4, Lead type=5
 Operating Temperature: -40~+70°C



• Dimensions

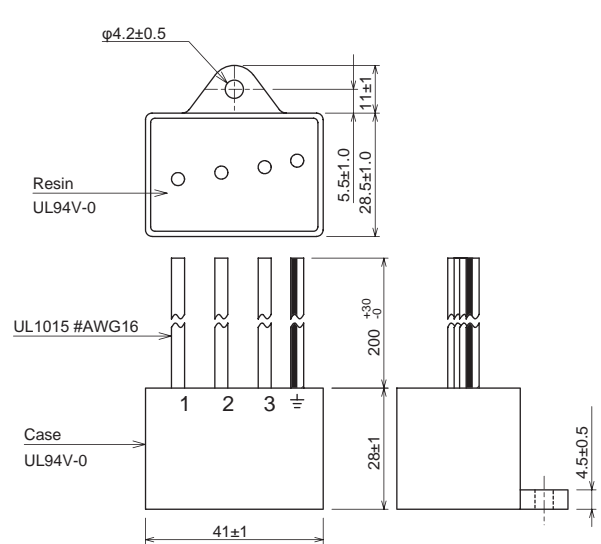
BQZ Series (Single-Phase)

Wire terminal type (-4)

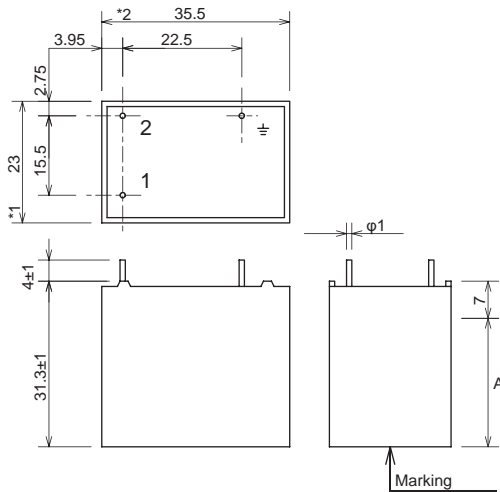


BUZ Series (Three-Phase)

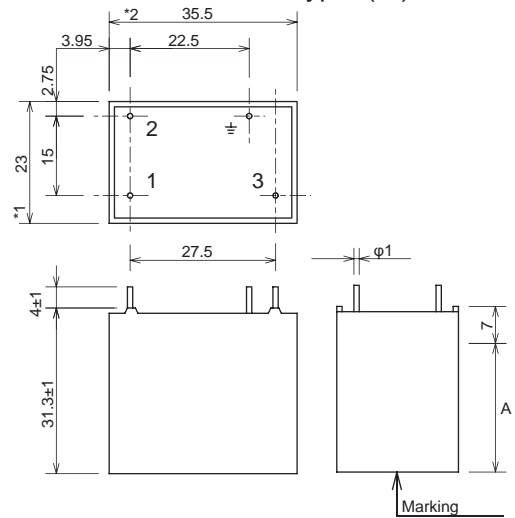
Wire terminal type (-4)



Solder lead type (-5)



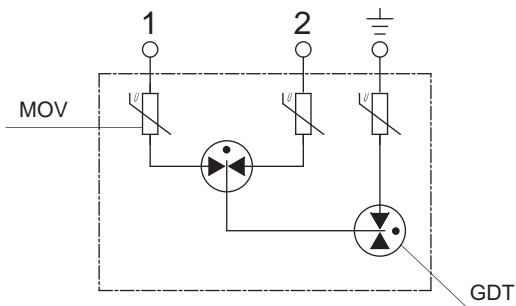
Solder lead type (-5)



Unit: mm
(A, *1, *2 Tolerance: ± 0.5)
Tolerance: ± 1.0

• Circuit

BQZ series



BUZ series

