



Features

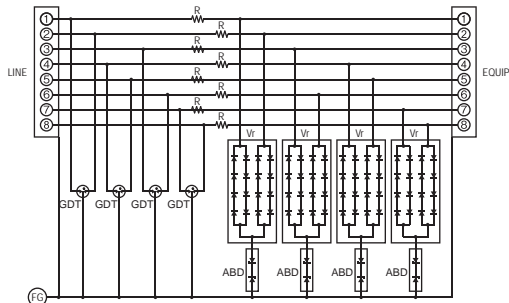
- Recommendation of JISC5381-21
- Complying with land, Infrastructure and Transportation Ministry
- Max. discharge current:
8/20μs-5,000A (Category C2)
10/350μs-2,500A (Category D1)
- Available for Hi-speed Lan (1000BASE-T) of Cat 5e
- Available for DIN rail installation
- Easy to connect to the earth with DIN rail
- RLAN3 Available for DC60V(LINE-FG)
- Available for IEEE 802.3 at (POE) and IEEE 802.3 at (POE PLUS)



Applications

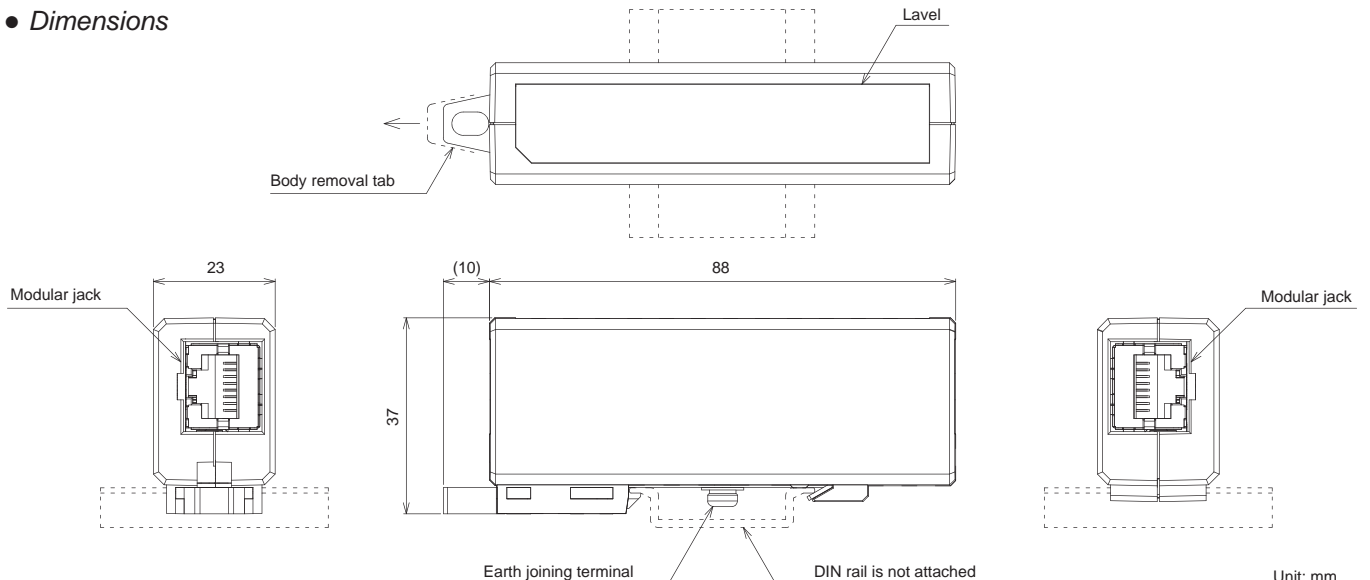
- Road traffic and related equipment
- Outdoor display
- Surveillance camera
- Office building etc. Protection of each LAN line

● **Circuit** Modular jack (RJ45) Modular jack (RJ45)



R : Resistor
Vr : Varistor
ABD : Avalanche Breakdown Diode
GDT : Gas Discharge Tube
FG : Frame Ground

● **Dimensions**



Electrical Specifications

Model Name		RLAN2-1000POE5K-D RLAN3-1000POE5K-D
Application		10BASE-T 100BASE-Tx 1000BASE-T PoE (Power over Ethernet) / PoE Plus
Max. Continuous Operating Voltage	RLAN2	LINE-EQUIP: DC60V LINE-FG: DC30V
	RLAN3	LINE-EQUIP: DC60V LINE-FG: DC60V
Rated Current		600mA
Impulse Durability	Category C2	8/20μs-5,000A 10 times (category C2)
	Category D1	10/350μs-2,500A 2 times (category D1)
Voltage Protection Level		≥ 250V (Line - Ground)
Insertion Loss		DC~100MHz ≥1.0dB
Near-end Crosstalk		DC~100MHz ≤32.3dB
Return Loss		DC~100MHz ≤12.1dB

Operating Temperature: -25~+75°C