



Features

- Spark quencher for magnet switch.
- Various safety approval.

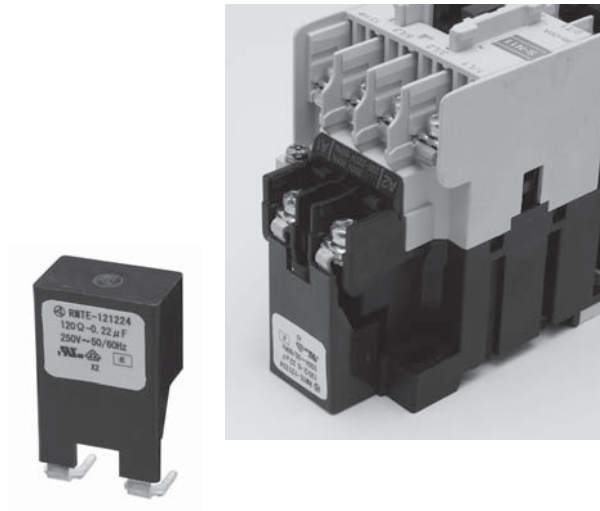
Applications

- Preventing from generating surge voltage.
- Applicable voltage range of coil : AC/DC 24~250V.

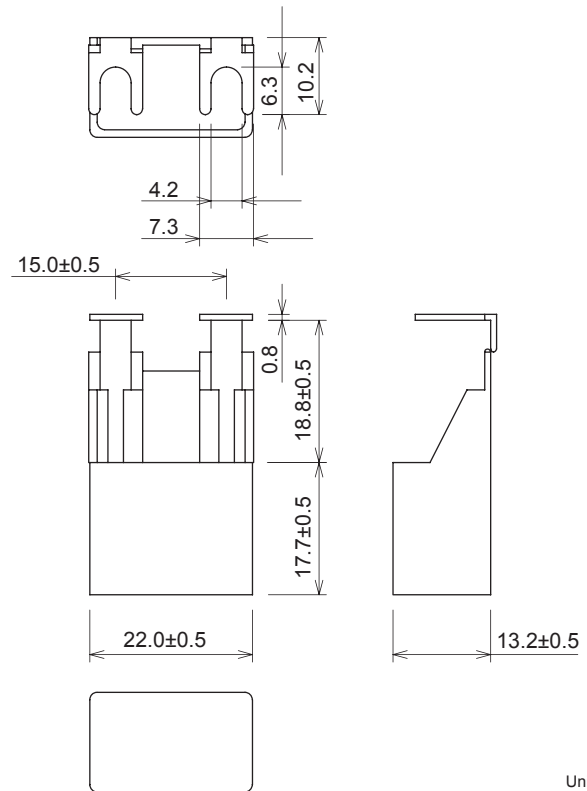


Safety Standard		File No.
UL	:UL60384-14	E47474
cUL	:CSA E60384-14	E47474
VDE	:IEC/EN 60384-14	127945

• RMTE SERIES



• Dimensions



Unit: mm

• Circuit



• Model numbering system



Electrical Specifications

Rated Voltage **250Vac**

Safety Standard	Class	Model Number	Capacitance $\mu F \pm 20\%$	Resistance $\Omega \pm 30\%$	Pulse condition (max.)				Peak Pulse Voltage	Test Voltage	Insulation Resistance
					Peak to peak	Pulse width	Repetitive frequency	Pulse width (sec) x Frequency(Hz)			
	X2	RMTE-121•224	0.22	120 (1/2W)	800V max.	50msec max.	120Hz max.	0.1max.	1,200V	Line to Line 1,000Vac 50/60Hz 60sec Line to Case 2,000Vac 50/60Hz 60sec Line to Line 15,000M Ω min. (at 500Vdc) Line to Case 100,000M Ω min. (at 500Vdc)	

*Peak to peak value of pulse condition(Max) is the maximum pulse voltage that is overlapped to line voltage and can apply between terminals of spark quencher.

Operating Temperature: -40~+100°C