



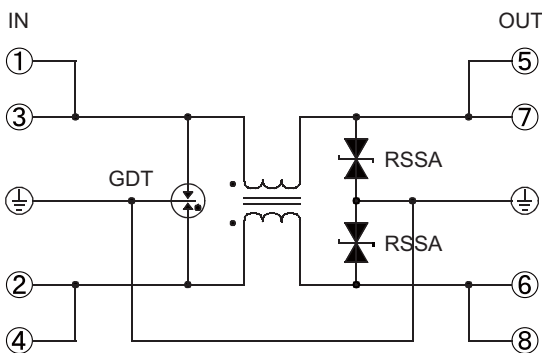
### Features

- SPD for data signal line and control line
- Compliance to JIS C 5381-2 and category C2/D1
- Impulse withstand current C2: 8/20 $\mu$ s-5kA  
D1: 10/350 $\mu$ s-2.5kA
- Longer impulse current life and higher impulse withstand current than old R·S·M·RL.

### Applications

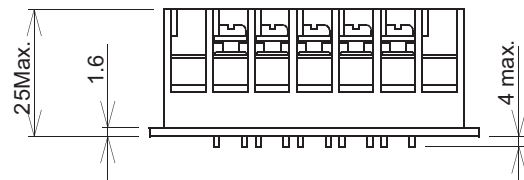
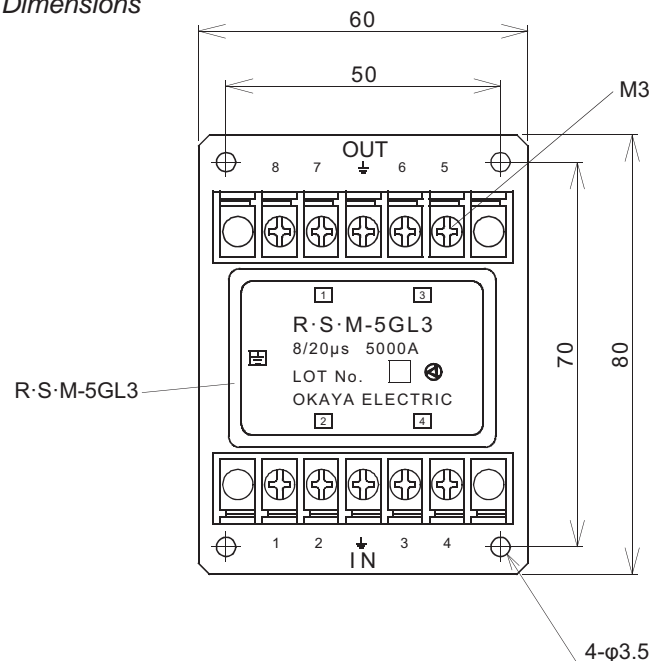
- Data processing machine and control machine with communication signal line
- LED light dimmer
- Fire alarm apparatus system
- Security camera
- Outdoor display unit

### Circuit



NEW

### Dimensions



Unit: mm

### Electrical Specifications

	Model Number			R·S·M·5GL3-PT	R·S·M·12GL3-PT	R·S·M·24GL3-PT	R·S·M·48GL3-PT
	In	Out	Category				
Rated Voltage	①,③/②,④	⑤,⑦/⑥,⑧	-	DC5.0V	DC12.0V	DC24.0V	DC48.0V
Max. Continuous Operating Voltage	①,③/②,④	⑤,⑦/⑥,⑧	-	DC6.63V	DC14.5V	DC26.8V	DC55.1V
Rated Current	①,③/⑤,⑦/②,④/⑥,⑧			3A			
Residual Voltage (representative value) 1.2/50 $\mu$ s-8/20 $\mu$ s, 10kV-5kA	⑥,⑦- $\perp$	-	-	30V	60V	70V	100V
Impulse Discharge Current	①,②,③,④- $\perp$	-	Category C2	8/20 $\mu$ s-5kA, 5 times for each positive and negative			
	①,②,③,④- $\perp$	-	Category D1	10/350 $\mu$ s-2.5kA, 1 time for each positive and negative			

Operating Temperature: -20~+60°C