



**RSP-485 Series**

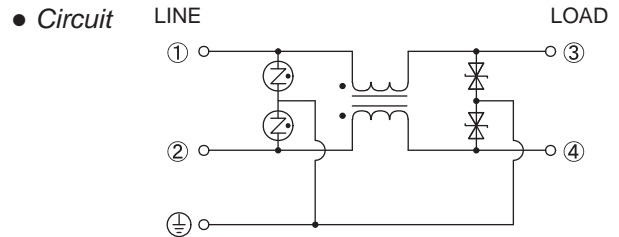
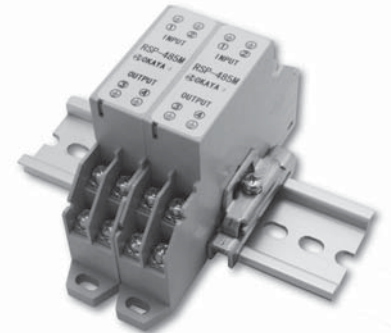
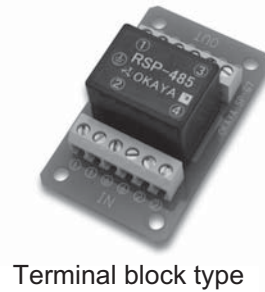
These are surge protection devices designed for RS-485, protecting driver/ receiver ICs in input-output terminals, from surge such as lightning.

**Features**

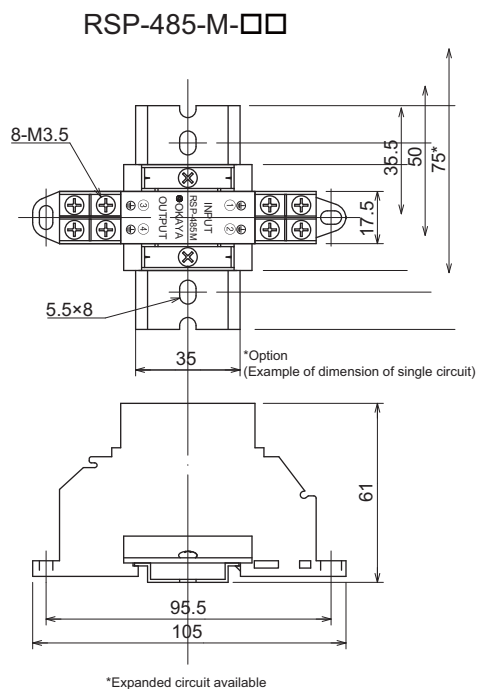
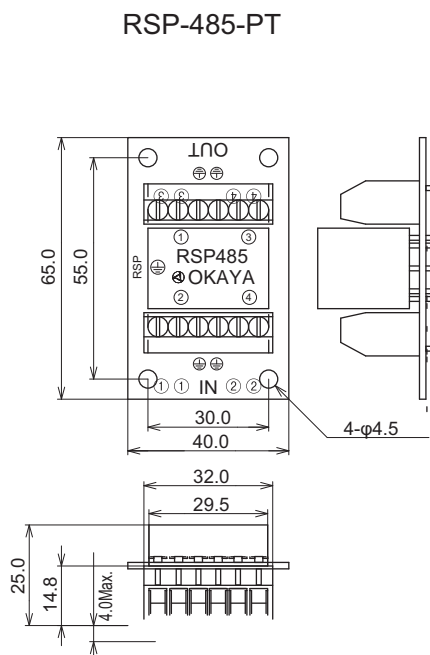
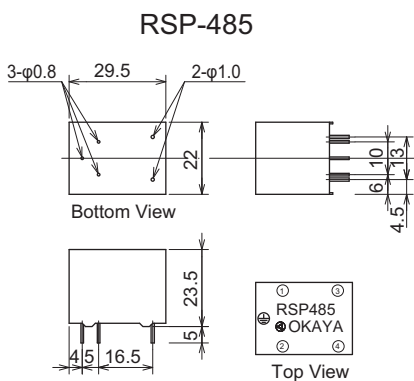
- This protector consists of RSSA (silicon surge absorber) and R·A·V.
- Excellent response time and endurance.
- Small gain loss in long distance communication by the use of common mode choke coils in impedance blocks.
- PCB mounting type, terminal block type and DIN rail box type available.

**Electrical Specifications**

- Maximum circuit voltage: 6.63V(L-G)
- Clamp voltage: 15Vmax. (@1.2/50µs-1,000V)
- Repetitive surge guaranteed: 8/20µs-1,000A 100 times



• **Dimensions**



Unit: mm  
Tolerance: ±1.0