



Features

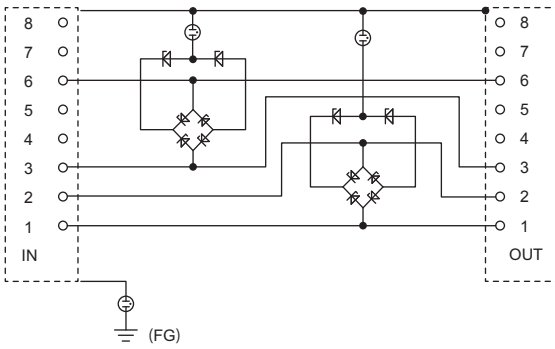
- RSP-LAN-B is a surge protector for Ethernet LAN10/100BASE-T that prevails in LAN network and it protects a network system from lightning surge by attaching this between the application and cables.

Applications

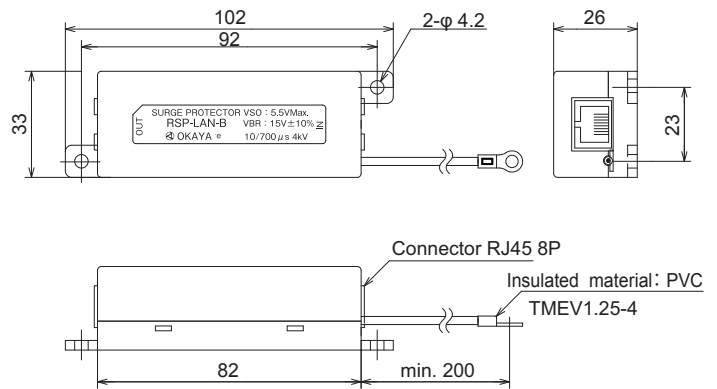
- Counter measure against surge can be taken easily just by attaching this between the application and cables due to hook-up box.
- With a complex circuit, electrostatic capacity got small and usable for high speed communication.



Circuit



Dimensions



Tolerances: ±1.0
Unit: mm

Electrical Specifications

Max. Line Voltage	12.1V (L-L)
Impulse Withstand Voltage Capacity	4,000V (10/700µs ITU-T K20 R=25)
Breakdown Voltage	15.0V±10% (L-L) 635V±15% (L-G)
Capacitance	20pF Max. (L-L) 1pF Max. (L-G)

Operating Temperature: -20~+60°C

Impulse Absorption Characteristics

