

**Features**

- Continual rated voltage AC150V-AC600V.
- Lightning surge protection for both single and three phase application.
- Fast response.
- Maximum peak surge current 8/20 μ s-5,000A.
- Every pathway consists of same elements.
Between line and line/between lines and ground can protect as the same level.
- Business equipment Compliant to IEC60950

Applications

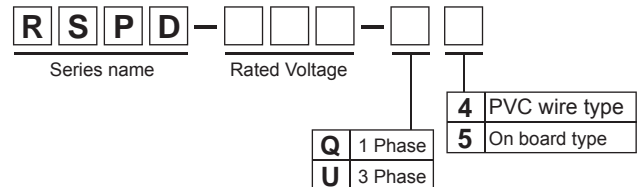
- Tapping machine, CNC turning machine, general machinery.



Safety Standard		File No.
UL	:UL1449 4th.	E322107
cUL	:C22.2 No.269.5	
TÜV	:IEC60950-1:2005+A1+A2 :EN60950-1:2006+A11+A1+A12+A2	J50354669



- Model numbering system

**Electrical Specifications**

Safety Standard	Model Number*	Rated Voltage 50/60Hz		DC Operating Voltage (V)±25%	Voltage Protection Level (V)	Normal Discharge Current 8/20 μ s (A)	Max. Discharge Current 8/20 μ s (A)	Impulse life test 8/20 μ s-1,000A
	RSPD-150-Q□	Single Phase	AC150V	400	800	2,500	5,000	Approx. 300times
	RSPD-250-Q□	Single Phase	AC250V	700	1,300			
	RSPD-250-U□	Three Phase						
	RSPD-420-Q□	Single Phase	AC420V	1,100	1,500			
	RSPD-420-U□	Three Phase						
	RSPD-500-Q□	Single Phase	AC500V	1,300	2,000			
	RSPD-500-U□	Three Phase						
	RSPD-600-Q□	Single Phase	AC600V	1,500	2,500			
RSPD-600-U□	Three Phase							

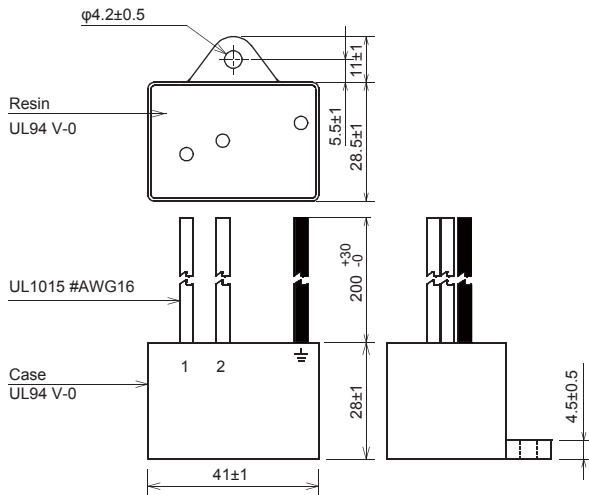
* □: PVC wire type=4, on board type=5
Operating Temperature: -40~+70°C



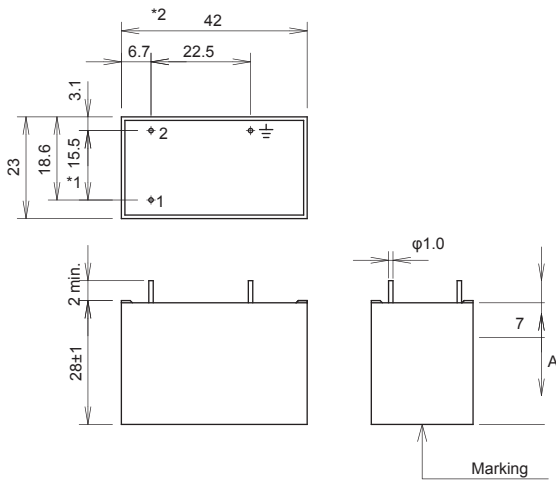
• Dimensions

RSPD-□□□-Q series (Single-Phase)

Wire terminal type (-4)

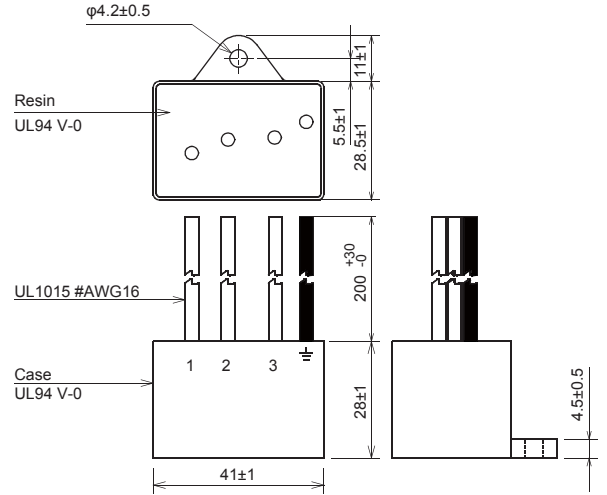


Solder lead type (-5)

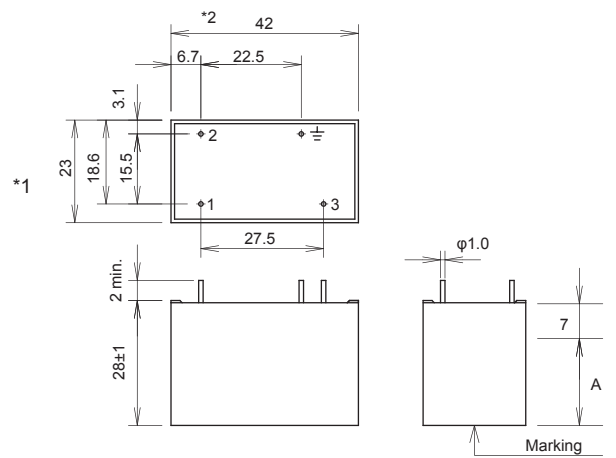


RSPD-□□□-U series (Three-Phase)

Wire terminal type (-4)



Solder lead type (-5)

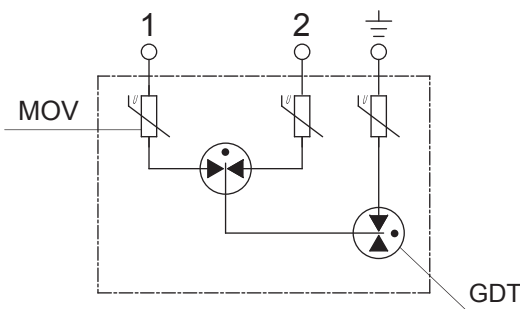


(A, *1, *2 Tolerance: ± 0.5)

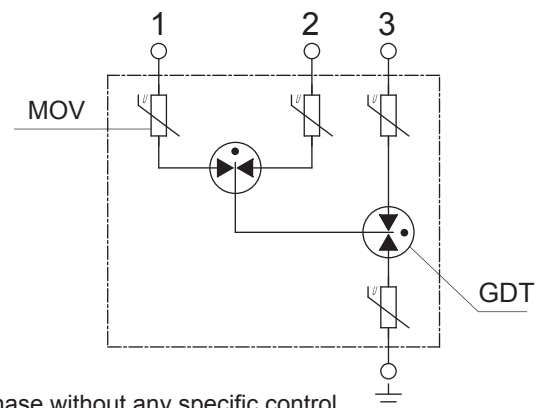
Unit: mm
Tolerance: ± 1.0

• Circuit

RSPD-□□□-Q series



RSPD-□□□-U series



Flexible wires in black color can connect to each phase without any specific control.