



**Features**

- Uses wiring-easy terminal block.
- General purpose model made with ferrite core.
- Bleeder resistor for electric shock protection.

**Applications**

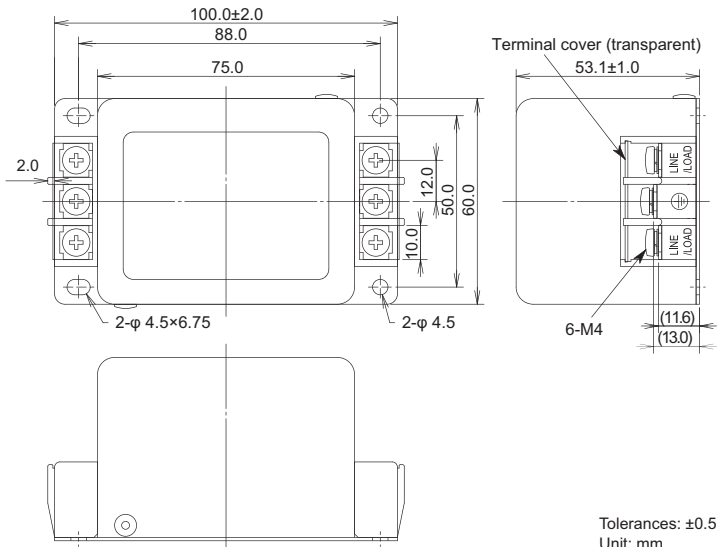
- Thyristor-applied systems, Fax machines, Game machines, Various control systems and etc.



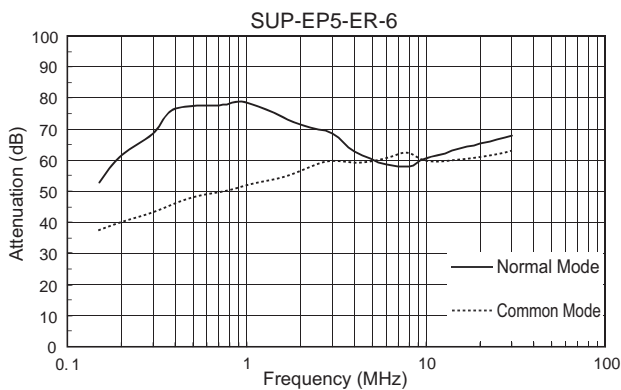
Safety Standard		File No.
UL	:UL1283	E78644
cUL	:C22.2, No.8-M1986	
TÜV	:EN60939	R2-50006831



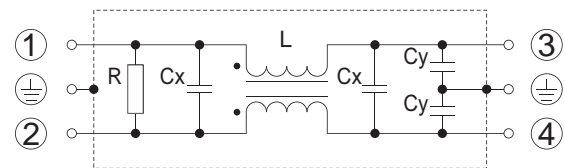
• *Dimensions (5~30A)*



• *Static characteristics (Representative example)*



• *Circuit (5 ~ 30A)*



**Electrical Specifications**

Rated Voltage **250Vac**

Safety Standard	Model Number	Rated Current (A)	Test Voltage	Insulation Resistance	Leakage Current (max.)	Voltage Drop (max.)	Temperature Rise (max.)	Operating Temperature (°C)	Insertion losses		Weight typ.(g)
									Normal Mode (MHz)	Common Mode (MHz)	
	SUP-EP5-ER-6	5	Line to Case 2,500Vac 50/60Hz 60sec	Line to Case 100MΩmin (at 500Vdc)	1mA (at 250Vac 60Hz)	1.0Vac	45K	-25 ~ +50 (100°C with Temp. rise)	0.15 ~ 30	0.3 ~ 20	450
	SUP-EP10-ER-6	10							0.2 ~ 30	0.4 ~ 20	
	SUP-EP15-ER-6	15							0.3 ~ 30	0.7 ~ 20	
	SUP-EP20-ER-6	20							0.3 ~ 30	2.0 ~ 30	
	SUP-EP30-ER-6	30							0.4 ~ 30	6.0 ~ 30	

Guaranteed attenuation is more than 35dB in normal mode and more than 30dB in common mode.  
 Available leakage current 70µA max.(250Vac, 60Hz) type for medical equipments and low leakage current equipments.