



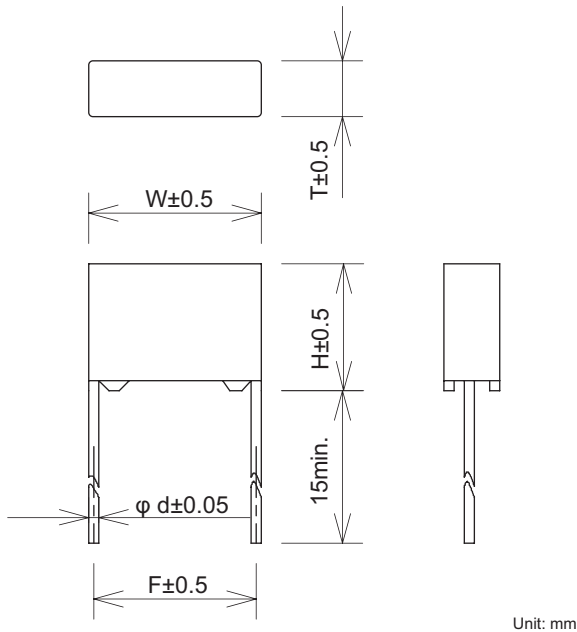
Features

- 30% smaller size of YE series.
- UL, cUL, IEC/EN 60384-14 class Y2.
- Good temperature characteristic compared to ceramic capacitor.

Applications

- Designed mainly for suppressing noise occurring in electric appliances and medical equipment.

Dimensions

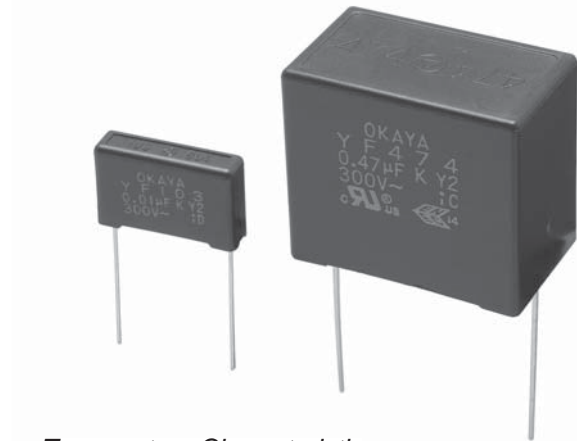


Circuit

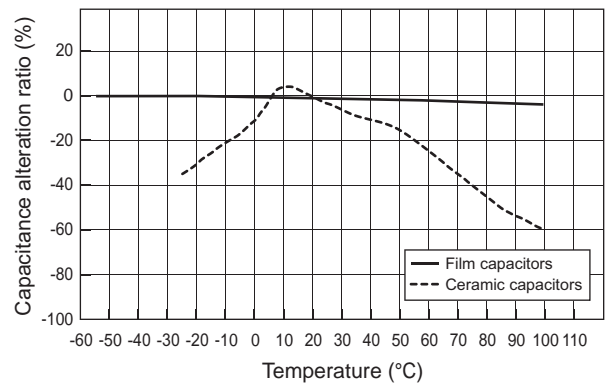


Safety Standard	File No.
UL :UL60384-14	E47474
cUL :CSA E60384-14	E47474
ENEC :IEC/EN60384-14	SE/0142-11

The "ENEC" mark is a common European product certification mark based on testing to harmonised European safety standard. The mark with #14 stands for SEMKO.



Temperature Characteristic



Model numbering system



Electrical Specifications

Rated Voltage **300Vac**

Safety Standard	Class	Model Number	Capacitance $\mu\text{F}\pm 10\%$	Dimensions					Dissipation Factor	Test Voltage	Insulation Resistance
				W	H	T	F	d			
	Y2	YF103	0.01	18.0	11.0	5.0	15.0	0.6	0.003max. (at 10kHz)	Line to Line 2,000Vac 50/60Hz 60sec	Line to Line $C \leq 0.33\mu\text{F}$ 15,000M Ω min. $C = 0.47\mu\text{F}$ 5,000 $\Omega \cdot \text{F}$ min.
		YF153	0.015		11.5	6.0					
		YF223	0.022		12.5	7.0					
		YF333	0.033		14.0	8.0					
		YF473	0.047		15.0	9.0					
		YF683	0.068	26.0	15.5	7.5	22.5	0.8			
		YF104	0.1		17.5	11.0					
		YF154	0.15		19.5	12.5					
		YF224	0.22	31.0	20.5	13.5	27.5	0.8			
		YF334	0.33		24.0	16.0					
YF474	0.47	27.0	18.5								

Operating Temperature: -55~+110°C